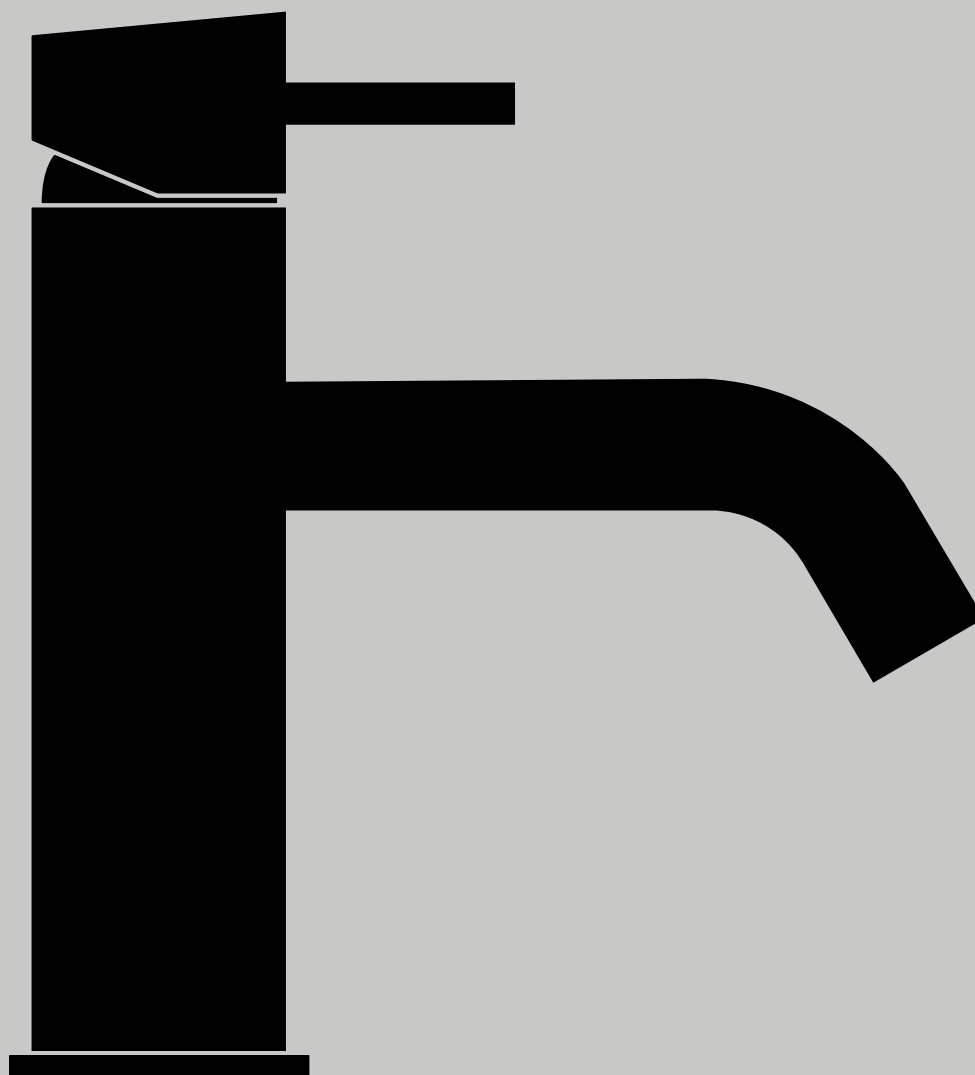


curated collections
bathroom edition





Content

04	About d line
06	Re-handle
10	Craftmanship
12	Colours and finishes

14	Qtoo collection
18	For washbasin
26	For shower and bathtub
36	Flushing plates

38	Knud Holscher collection
42	Bathroom accessories
48	Dispensers and waste bins
52	Soap dispensers
54	Hand dryers
56	Barrier-free
60	Sanitary panels

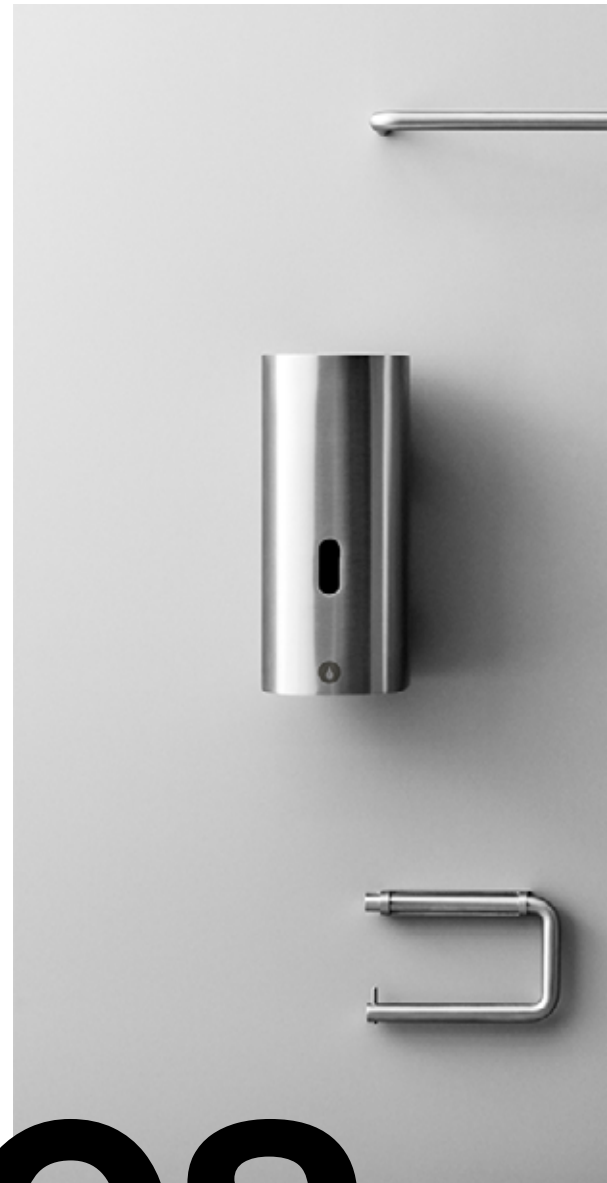
66	Where to find us
----	------------------

Cases

24	A minimalist bathroom sanctuary
34	Where contemporary meets heritage
64	A graphic contrast in the bathroom

Published by: d line A/S, Jyllingevej 59, kld. 2720 Copenhagen, Denmark, dline.com / **Graphic design:** Studio C / **Typography:** Neue Haas Grotesk / **Photography:** Yellow's, MTJ studio, Frederik Lindstrøm, Norm Architects, Luke Arthur Wells / **Printing:** Clemenstrykkeriet

d line is a leading Danish design brand that conceives and hand crafts enduring architectural hardware, sanitary ware and solutions for barrier-free living.



that endures

Design



About d line

Since we began, we have believed that the best ideas respond to a need. This started in the 1960s when the Danish designer Knud Holscher was working under Arne Jacobsen on St. Catherine's College, Oxford. It was his need for a high-quality, coordinated line of stainless steel architectural products that led him to design one.

The d line sanitary range by Knud Holscher combines cleanness in its lines with cleanliness in its function. This series consists of fittings that form a cohesive whole.

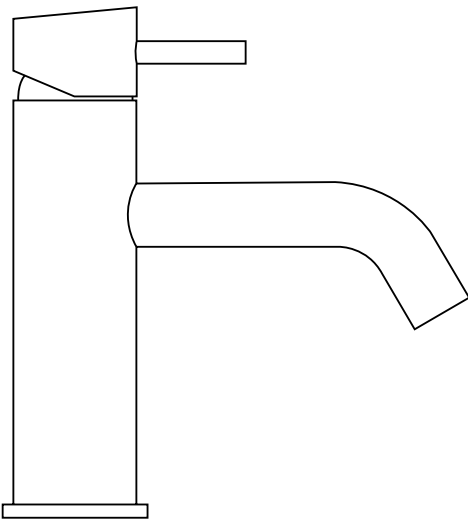
Complementary to our Knud Holscher bathroom accessories is our selection of taps and shower fixtures from the recently launched Qtoo collection. Realised in the same quality stainless steel and with the same precision designed, minimalist aesthetic, The Qtoo collection is an unparalleled match to the original launch pieces dating back to 1971.

Wherever they appear, our sanitary products can be flexibly combined yet always provide the same uniform impression. In their technical design, installation and maintenance are key focuses, to meet the need for impeccable hygiene no matter how long they live in a space.

To the spaces they occupy, they bring a sense of unity – they are often the finishing touches, yet they are never an afterthought.

The industry's first circular system that will prolong the life of products up to 100 years

d line will now take in original products to be Re-handled. We fix, replace and brush them to work good as new. With each Re-handle®, we save the environment up to 90% CO₂ emission.



Sometimes good as new is better

Low quality is a waste of resources. we challenge you to Re-handle® the same product up to four times. With each Re-handle® the 20-year product warranty period is renewed, securing 100 years of use. With an asking price for a Re-handled product that is 60% lower than a newly produced item, it is straightforward to make the enduring choice and reuse instead of buying new.

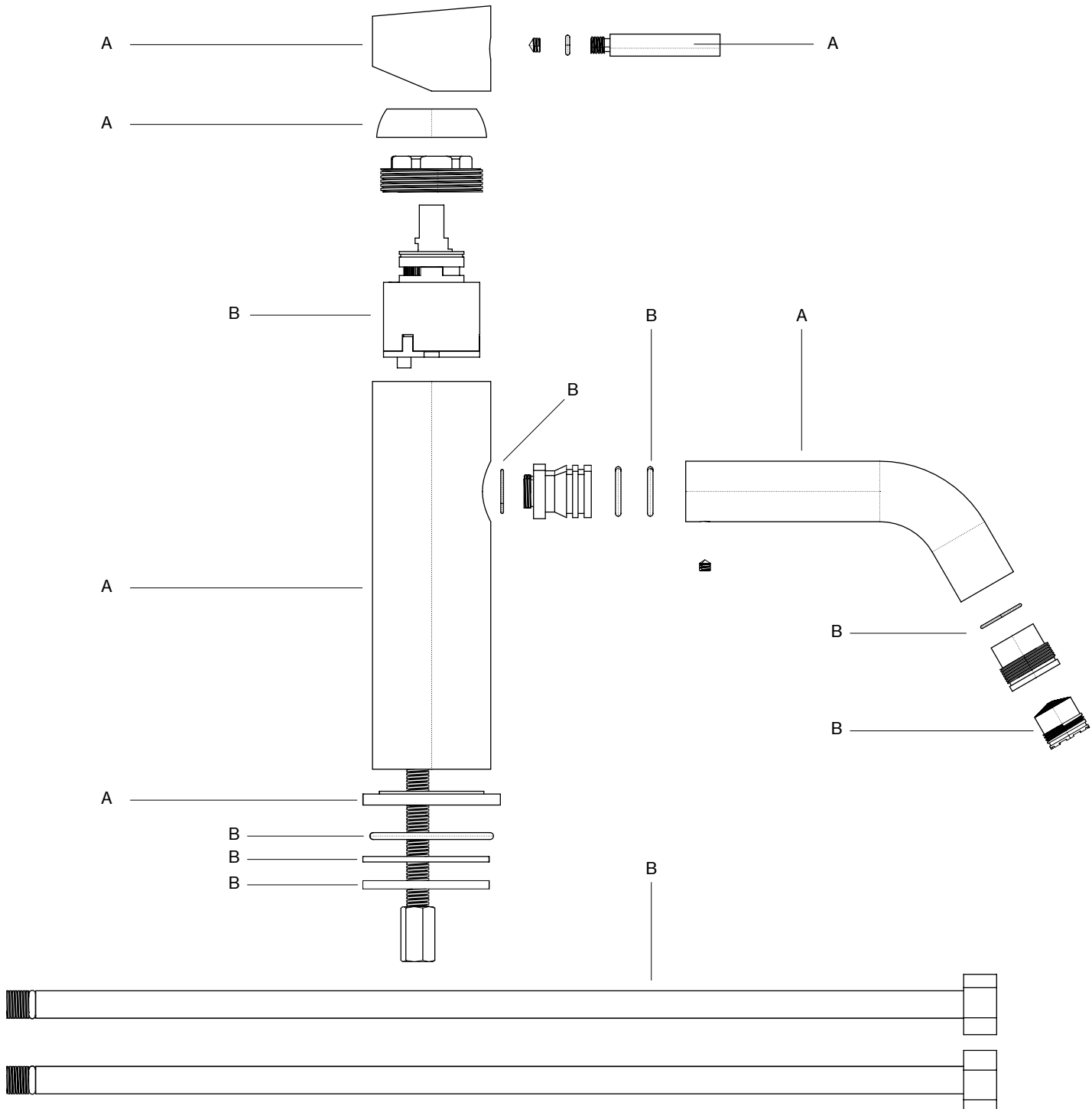
Designed to never become waste

Long before global warming became an issue of concern, d line made a promise that we would create things that are timeless in their design and enduring in their strength, so that they wouldn't need to be bought for a purpose more than once. It is this uncompromising approach to design and our complete supply chain control, that makes Re-handle® the most revolutionary circular system in our operating industry.

Re-handle®



d line ————— Re-handle



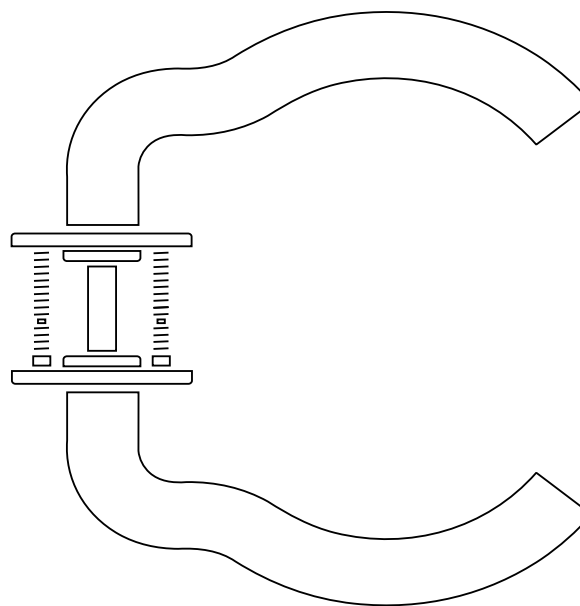
A – repolish
 B – replace

Reuse in order to reduce

We know that every new product put into the world has severe CO₂ impacts. By choosing to Re-handle our products instead of producing new, you will dramatically reduce the carbon footprint between 54-91%, depending on the product.

We know this, because we have documented our products complete Global Warming Potential (CO₂ emission) across the entire life cycle, based on internationally recognized Environmental Product Declarations (EPDs executed and verified by third party).

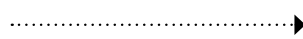
- 20-year product warranty, renewed at every Re-handle.
- EPDs with full declaration on 40% of our portfolio.
- Re-handle possibility on 250 items.
- Reduce the Global Warming Potential between 54-91% with each Re-handle.
- 100% recyclable AISI 316 stainless steel.
- Recycled and recyclable packaging.



d line — Re-handle

Taps, external fixtures & wastes

10.8 kg. CO₂

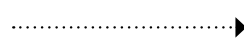


91% less emission

0.95 kg. CO₂

Built-in tap, shower & bath tub sets

63.43 kg. CO₂



81% less emission

12.23 kg. CO₂

Average kg. CO₂ emission per category.



Though many d line products can be classed as industrial in both their design and their look, none of them are industrially made. They are hand crafted in our factory by our dedicated specialists.



Craftsmanship

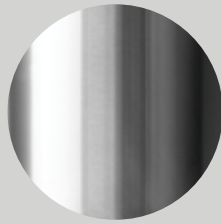
Tube cutting, welding, bending, grinding, polishing, assembly and packing – all of these stages of our production are undertaken by people, with the help of specialized machines, and each is carried out by one person before being passed on to the next.

These tasks are truly specialized. To achieve each tiny detail in a d line product, for example, special stamping and cutting tools have been developed just to create that single element. Meanwhile, to execute the grinding and polishing that results in our signature d line satin finish, a product is gently held by hand against a spinning wheel at specific angles and with equal pressure applied to every millimetre of the whole. This is carried out as four different steps before the product is wrapped for transportation to the next station.

Labour-intensive processes such as these are critical for the achievement of precision and perfection. We think they're worth it because the resulting products are truly enduring.

After our pieces are carefully crafted, they are packed and shipped in cardboard boxes made from recycled and recyclable cardboard. We purchase our boxes locally, not only from a subsidiarity principle to avoid unnecessary transport, but also to support our local communities and businesses.

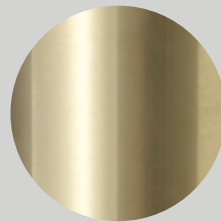
Colours and finishes



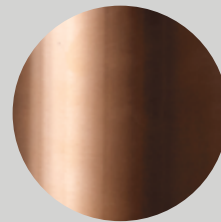
Stainless steel



PVD charcoal



PVD brass



PVD copper

Solid metals

AISI 316 stainless steel have long been our metal of choice, because it never dates and meet our exacting quality standards. Grinding and polishing are what create our signature d line satin finish. For our method, a product is gently held by hand against a spinning wheel at specific angles, and with equal pressure applied to every millimetre of the whole. This is carried out as four different steps.

Choose between steel in either satin or polished finish.

PVD finishes

Physical vapour deposition (PVD) creates an extremely high-quality, high-durability finish when applied to stainless steel. With it we can now create our pieces in a brushed

satin or a polished finish, in Copper, Charcoal and Brass. This treatment allows for our AISI 316 stainless steel to take on a new metallic hue, while staying resistant to the humidity and cleaning materials typical to bathrooms. Besides our 20-year product guarantee, we offer a 5-year guarantee on the PVD finish.



Qtoo collection

The Qtoo Collection was launched in 2020, to further leverage d line's ability to achieve complete cohesion within architect-designed spaces. The collection brings to the market 100% recyclable stainless steel taps and shower fixtures, which share our precision-designed, minimalist aesthetic.





d line ———— Qtoq collection



Qtoo makes use of marine-quality, non-corrosive AISI 316 stainless steel favoured by d line, utilising steel for both its internal and external parts.

Precision, minimalistic and innovative

Created through an established collaboration with Danish design studio Hans Thyge & Co., each Qtoo piece blends a simple silhouette with innovative ideas, balancing soft, feminine shapes with perfectly composed geometric lines.

The Qtoo pieces are available in brushed and polished stainless steel, as well as brass, copper and charcoal. With these same finishes applicable to our sanitary ware by Knud Holscher, this means a more comprehensive range across the d line bathroom category.

Sustainable thinking

All materials within a Qtoo product are 100% recyclable. Stainless steel is favoured because the amount of heavy metals are also

much lower in stainless steel, when compared to normal chrome products. Simultaneously, in the production of stainless steel no chemicals are used, nor any contaminating surface treatments.

The Qtoo products further utilizes integrated air mixers as standard to reduce water consumption. The products are CSA certified and conform to California Code, which mean that our products live up to strict water saving standards. Healthy drinking Qtoo products also prioritise health, promising extraordinarily clean water from every tap, each of which is lead-free, allergy-friendly and GDV- and NSF/ANS161-certified, to ensure lower levels of heavy metals in water. Each also comes with a 20-year guarantee and is leakage- tested at 15 bar.

QS3200-340WM

Built-in two-way shower set in satin stainless steel.

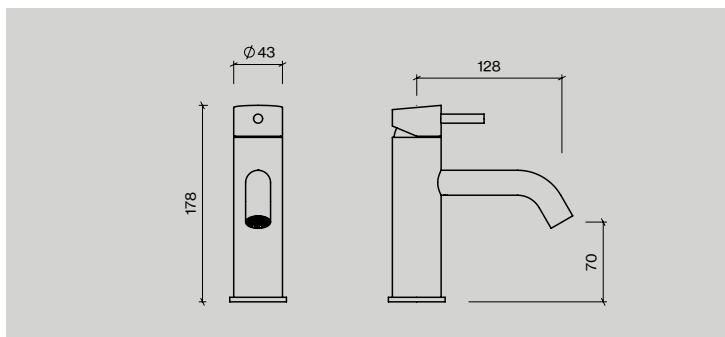
For washbasin

Whether counter- or wall-mounted, the Qtoo Collection washbasin taps are all about balanced proportions. Each minimalist tap is operated with a single lever that moves softly to turn the water on, and manoeuvres just as seamlessly to adjust temperature or flow.

As with any Qtoo wall mounted piece, our taps come with pioneering multi-adjustable built-in units for safe and easy installation.

Staying true to the Qtoo sustainability principles, all stainless steel parts are 100% recyclable and comes with a 20-year guarantee.

Single lever tap

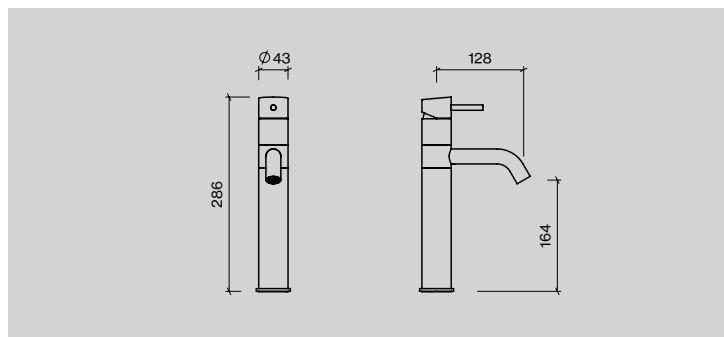


Item no.:
QT1150M
QT1150P

Description:
F/counter top, satin stainless steel
F/counter top, polished stainless steel

Unit:
1pcs
1pcs

Tall single lever tap

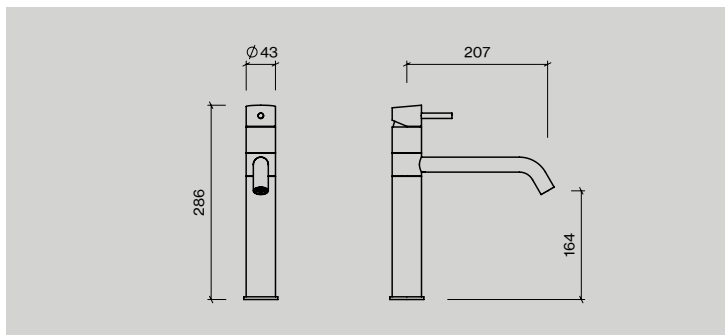


Item no.:
QT1200M
QT1200P

Description:
F/counter top, w/ swivel spout, satin stainless steel
F/counter top, w/ swivel spout, polished stainless steel

Unit:
1pcs
1pcs

Kitchen tap

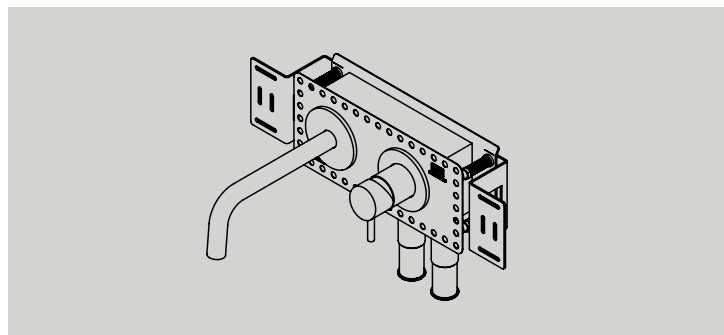


Item no.:
QT2100M
QT2100P

Description:
F/counter top, w/swivel spout, satin stainless steel
F/counter top, w/ swivel spout, polished stainless steel

Unit:
1pcs
1pcs

Built-in tap, 190mm spout – complete set



Item no.:
QT3100-190SM
QT3100-190SP

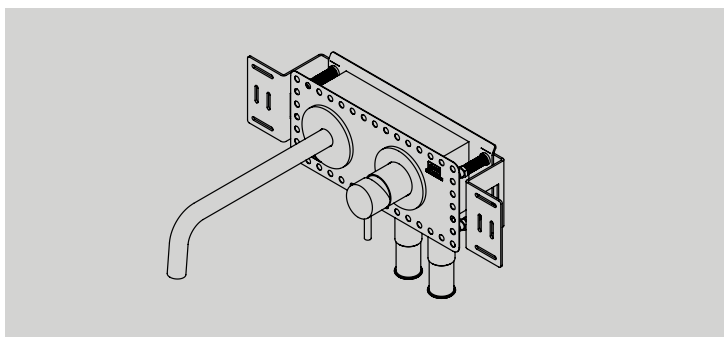
Description:
Ø80mm rose, wall mounted incl. built-in part, satin stainless steel
Ø80mm rose, wall mounted incl. built-in part, polished stainless steel

Unit:
1set
1set

Built-in tap, 250mm spout – complete set



BIM

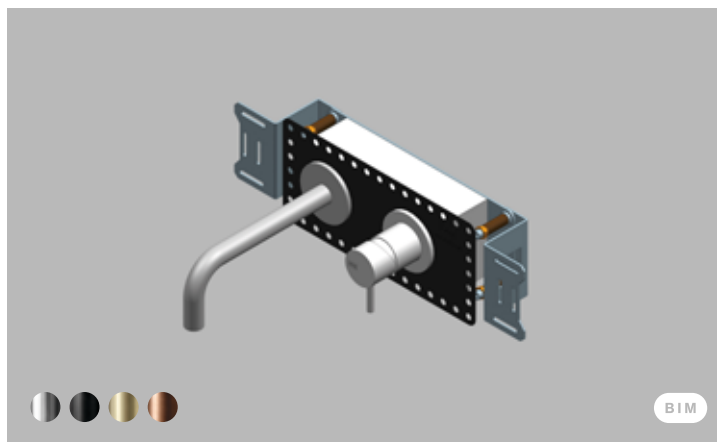


Item no.:
QT3100-250SM
QT3100-250SP

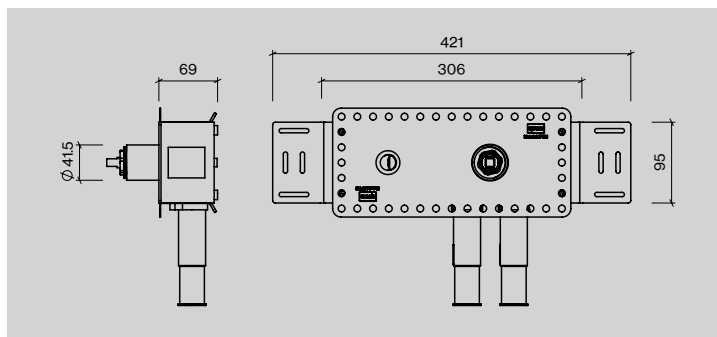
Description:
Ø80mm rose, wall mounted incl built-in part, satin stainless steel
Ø80mm rose, wall mounted incl built-in part, polished stainless steel

Unit:
1set
1set

Built-in mixer w/1/2" connector



BIM

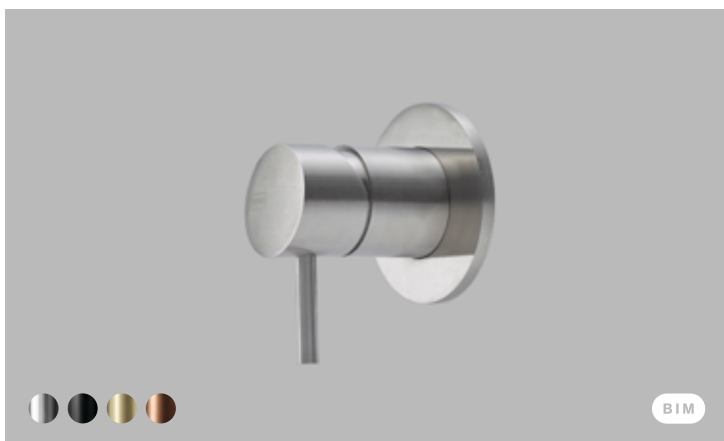


Item no.:
QT3100

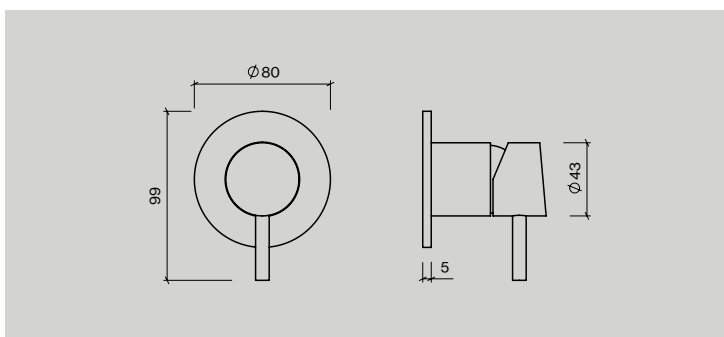
Description:
Built-in part only, f/spout or wall outlet for hand shower

Unit:
1pcs

Control f/wall mounted mixer



BIM

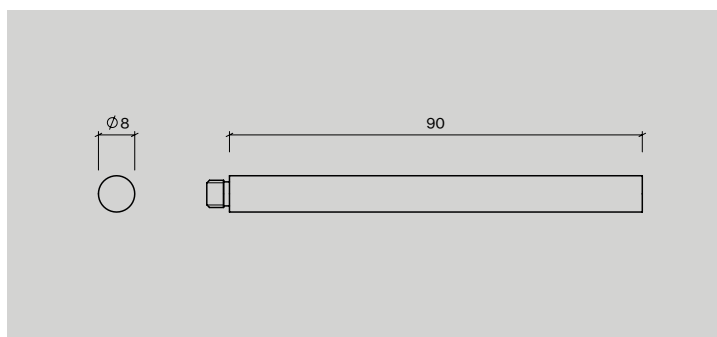
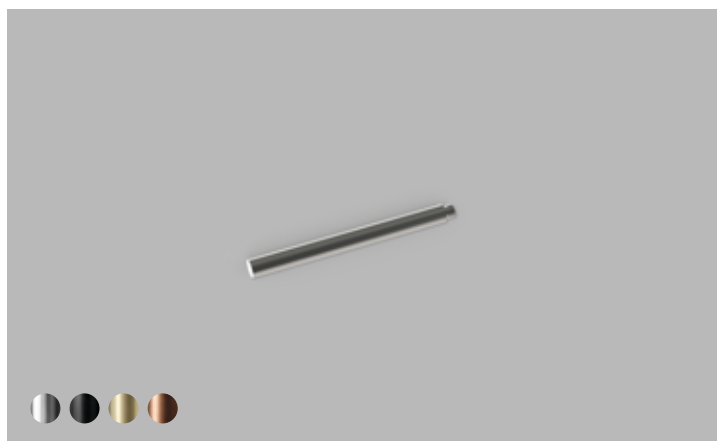


Item no.:
QA2180M
QA2180P

Description:
Ø80mm rose, satin stainless steel
Ø80mm rose, polished stainless steel

Unit:
1pcs
1pcs

Barrier-Free pin

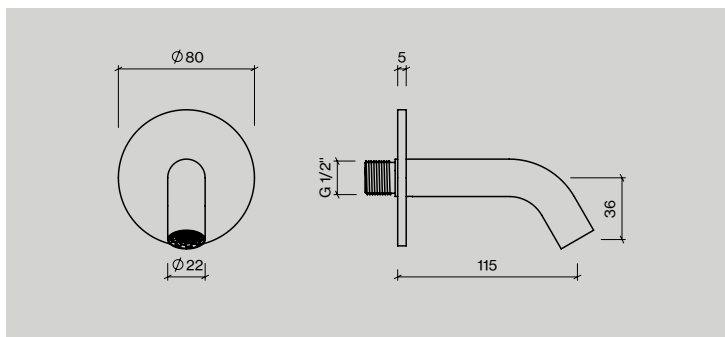


Item no.:
QR0090M
QR0090P

Description:
F/mixers & counter top taps, 90mm, satin stainless steel
F/mixers & counter top taps, 90mm, Polished stainless steel

Unit:
1pcs
1pcs

Spout, 115mm

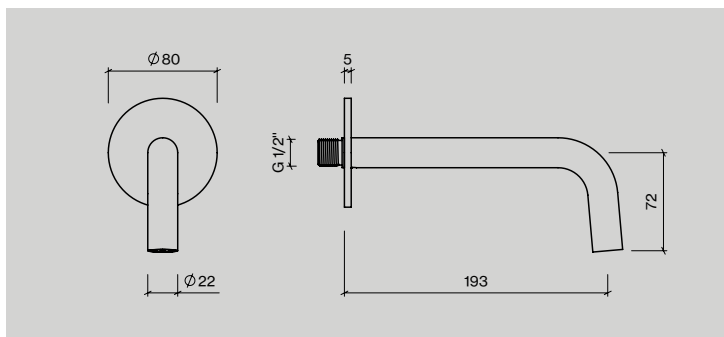


Item no.:
QA3080M
QA3080P

Description:
Ø80mm rose, satin stainless steel
Ø80mm rose, polished stainless steel

Unit:
1pcs
1pcs

Spout, 190mm

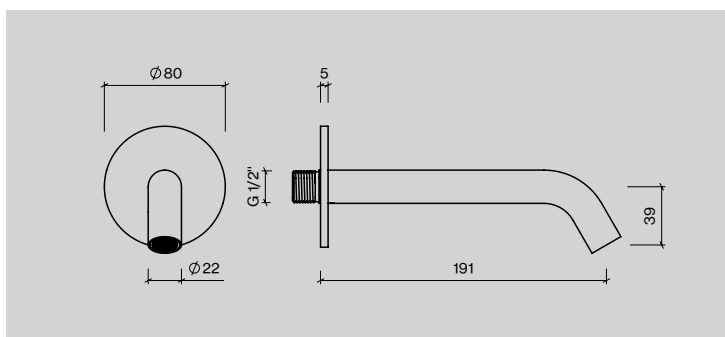


Item no.:
QA3180M
QA3180P

Description:
Ø80mm rose, satin stainless steel
Ø80mm rose, polished stainless steel

Unit:
1pcs
1pcs

Spout, 191mm

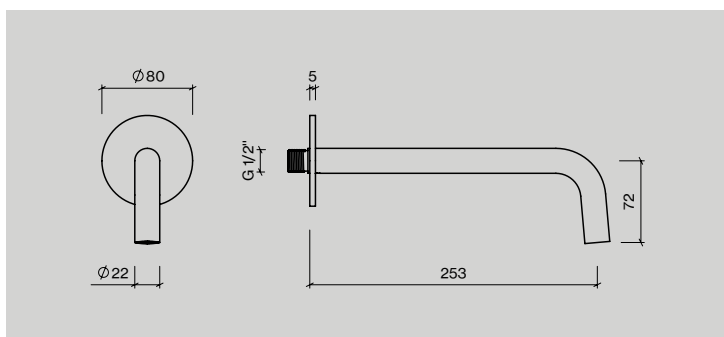


Item no.:
QA3380M
QA3380P

Description:
Ø80mm rose, satin stainless steel
Ø80mm rose, polished stainless steel

Unit:
1pcs
1pcs

Spout, 250mm

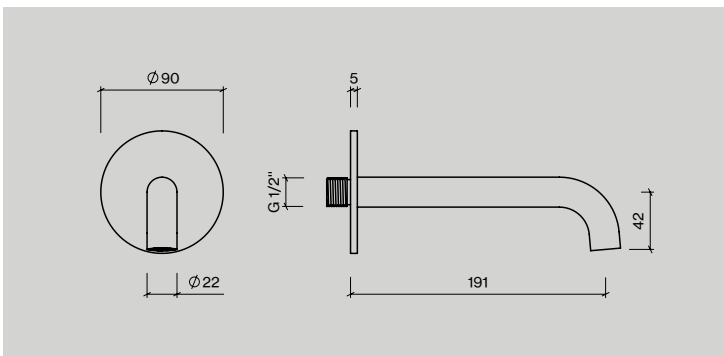


Item no.:
QA3280M
QA3280P

Description:
Ø80mm rose, satin stainless steel
Ø80mm rose, polished stainless steel

Unit:
1pcs
1pcs

Built-in sensor tap, 190mm spout

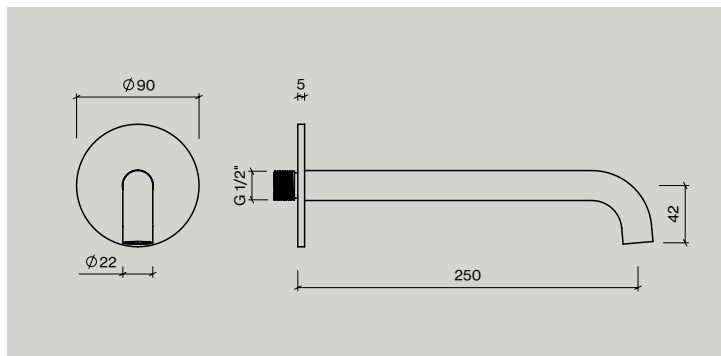


Item no.:
QST3190M
QST3190P

Description:
Ø90mm rose, wall mounted, satin stainless steel
Ø90mm rose, wall mounted, polished stainless steel

Unit:
1set
1set

Built-in sensor tap, 250mm spout

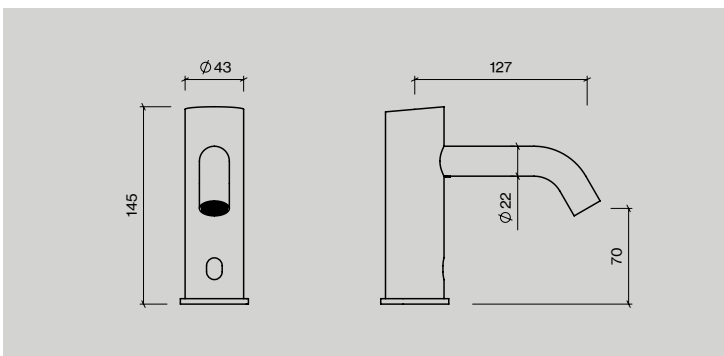


Item no.:
QST3290M
QST3290P

Description:
Ø90mm rose, wall mounted, satin stainless steel
Ø90mm rose, wall mounted, polished stainless steel

Unit:
1set
1set

Sensor tap

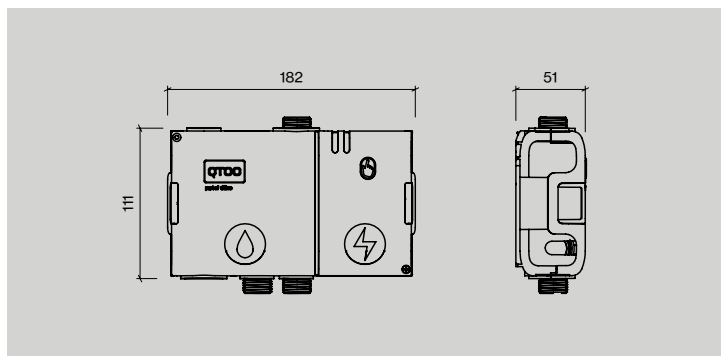


Item no.:
QST1150M
QST1150P

Description:
F/counter top, satin stainless steel
F/counter top, polished stainless steel

Unit:
1pcs
1pcs

Premix flexbox f/sensor tap

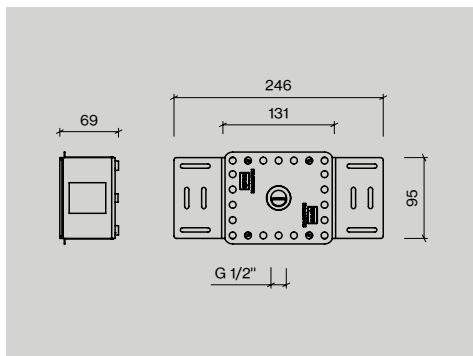
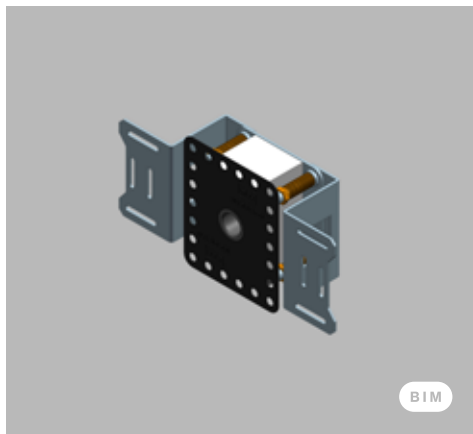


Item no.:
QSF01

Description:
F/ 220 volt / 6 AA batteries

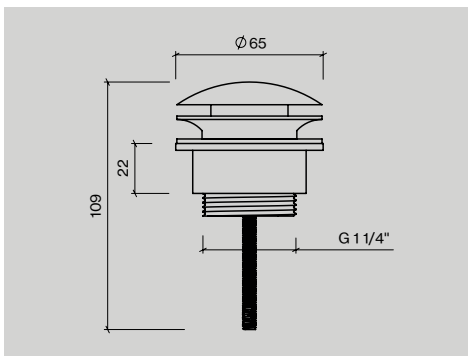
Unit:
1pcs

Built-in part 1/2" f/spout, wall outlet & shower arm



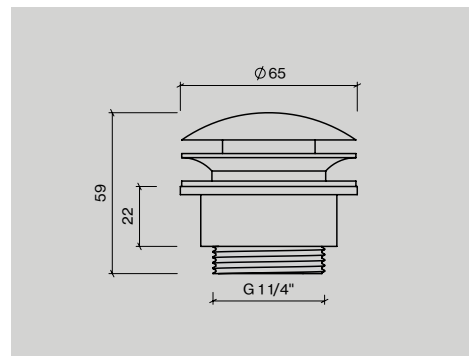
Item no.: QS3400
Description: 69x126mm, stainless steel
Unit: 1pcs

Waste push-open



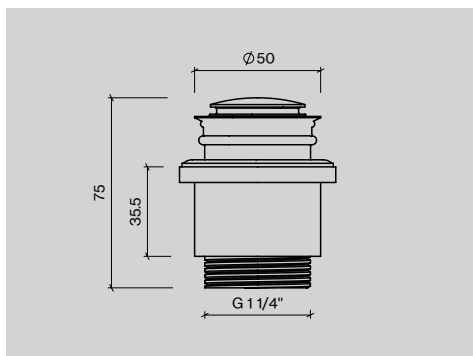
Item no.: QA1100M
 QA1100P
Description: Satin chrome finish
 Chrome finish
Unit: 1pcs
 1pcs

Waste fixed-open



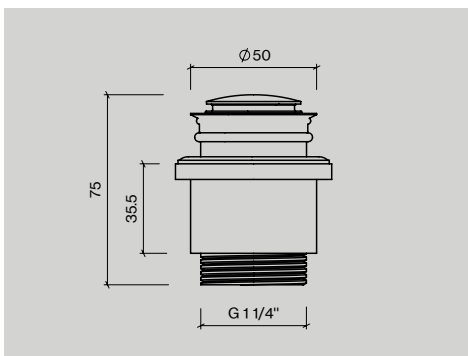
Item no.: QA1200M
 QA1200P
Description: Satin chrome finish
 Chrome finish
Unit: 1pcs
 1pcs

Easy-clean waste push-open



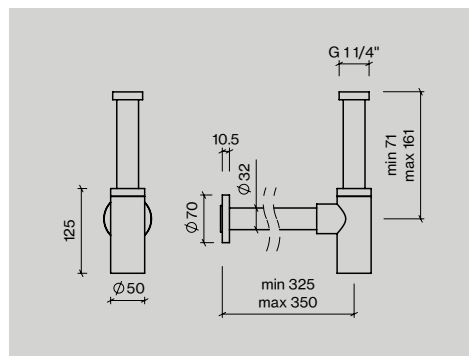
Item no.: QA1150M
 QA1150P
Description: Satin stainless steel
 Polished stainless steel
Unit: 1pcs
 1pcs

Easy-clean waste fixed-open



Item no.: QA1250M
 QA1250P
Description: Satin stainless steel
 Polished stainless steel
Unit: 1pcs
 1pcs

Siphon



Item no.: QA1400M
 QA1400P
Description: Satin chrome finish
 Chrome finish
Unit: 1pcs
 1pcs

Case:



Interior designer
Emil Thorup

Location
Klampenborg,
Denmark

Year
2021

Amenities
Private residence

A minimalist bathroom sanctuary



Image left:
QS3200-190SM
 Built-in two-way
 bathtub set

Image right:
 a pair of
QT3100-190SM
 Built-in tap,
 190mm spout

In an exclusive villa in Klampenborg just outside Copenhagen, this astonishing bathroom has been gently renovated by Danish Interior Designer and influencer Emil Thorup.

It's Scandinavian minimalism at its best, the natural stone and the light oak lead the mind to the raw materials that exist within the nordic nature. The bathtub set and the built-in tap from the Qtoo collection are in perfect harmony with the alluring, oval bathtub and the eggshaped washbasin.



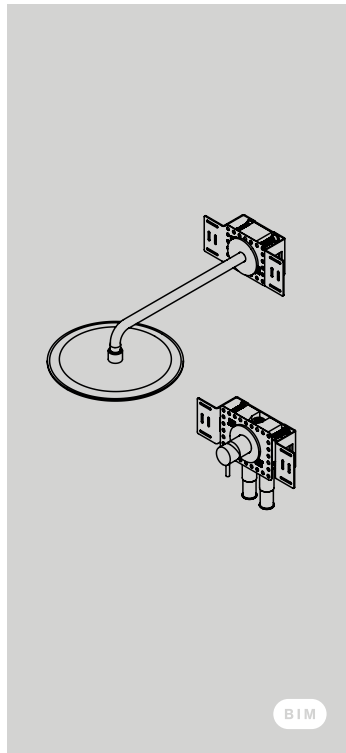
For shower and bathtub

The Qtoo Collection shower and bathtub system of showerheads, spouts and control unit combinations are for mixing and matching to personal taste and need. Each element of the system is perfectly minimal, with every detail precision-designed around function.

The collection is designed to be wall-mounted and built in the wall. The control units operate the water and flow, and adjust the temperature, with an optional thermostat that offers smart antiscald function to safeguard families with children.

- Built-in depth: 69 mm
- 400 mm projection
- Rose diameter: 90 mm
- Flow rate limited to max. 5.7lpm
- Spare flow regulator included 9.5lpm
- Anti lime scale
- Lead free compliant

Built-in shower set

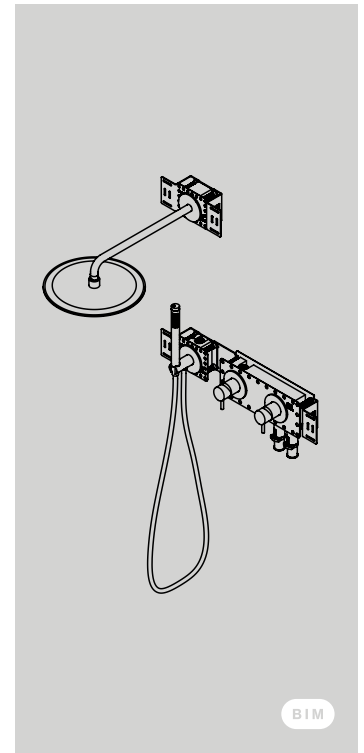


Item no.:
 QS3100-340WM
 QS3100-340WP

Description:
 W/300mm head shower, satin stainless steel
 W/300mm head shower, polished stainless steel

Unit:
 1set
 1set

Built-in two-way shower set

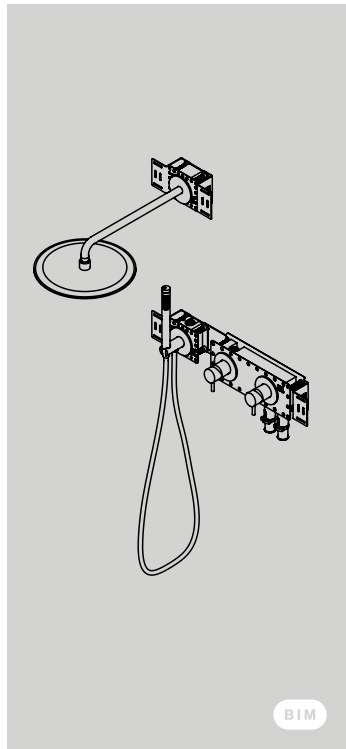


Item no.:
 QS3200-340WM
 QS3200-340WP

Description:
 W/300mm head shower & hand shower, satin stainless steel
 W/300mm head shower & hand shower, polished stainless steel

Unit:
 1set
 1set

Built-in two-way thermostat shower set

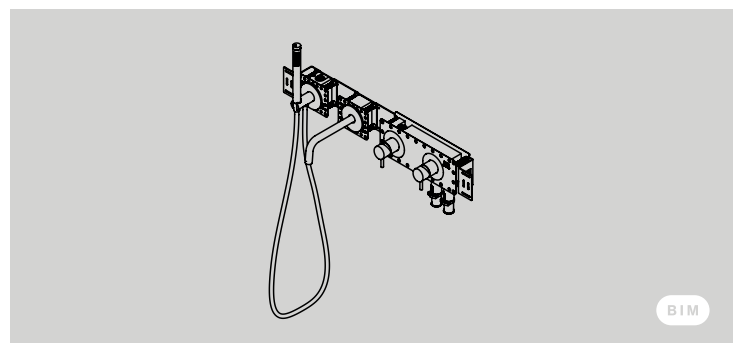


Item no.:
 QS3300-340WM
 QS3300-340WP

Description:
 W/300mm head shower & hand shower, satin stainless steel
 W/300mm head shower & hand shower, polished stainless steel

Unit:
 1set
 1set

Built-in two-way bathtub set

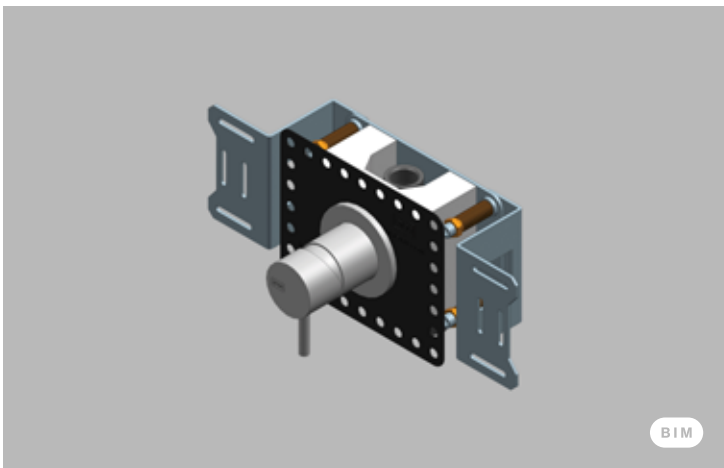


Item no.:
 QS3200-190SM
 QS3200-190SP

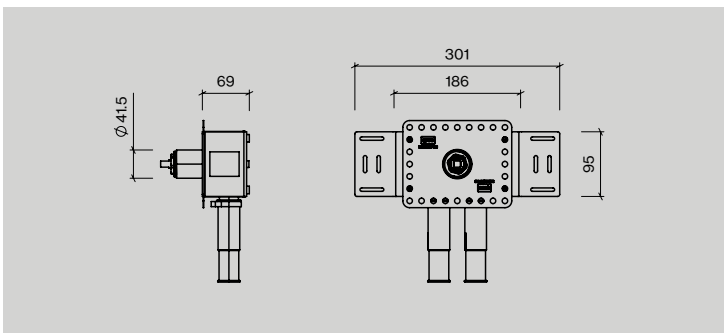
Description:
 W/190mm spout & hand shower, satin stainless steel
 W/190mm spout & hand shower, polished stainless steel

Unit:
 1set
 1set

Built-in part f/ mixer



BIM

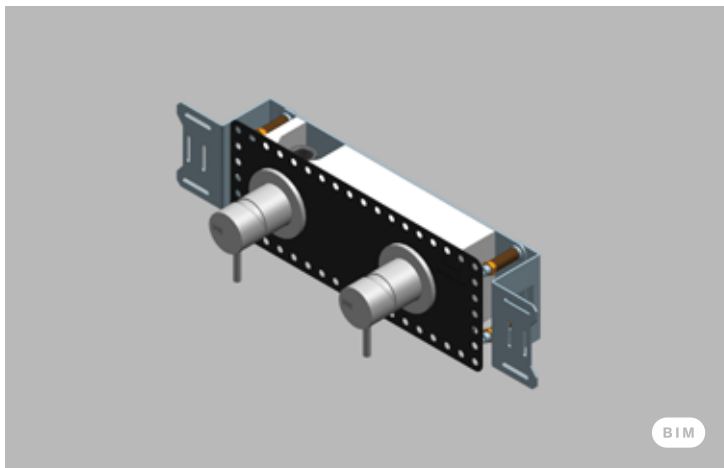


Item no.:
QS3100

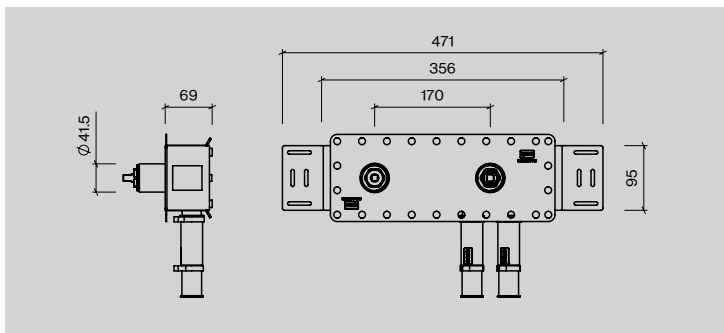
Description:
Built-in part only, stainless steel

Unit:
1pcs

Built-in part f/ mixer & diverter



BIM

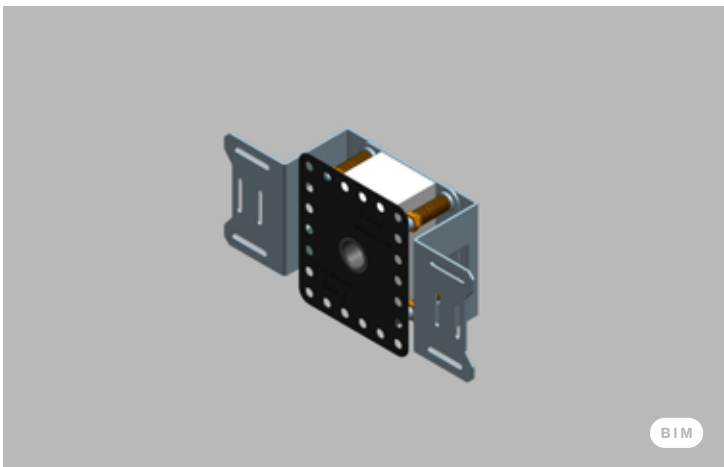


Item no.:
QS3200

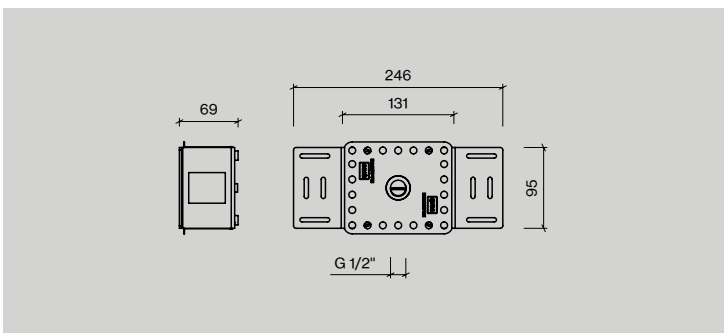
Description:
Built-in part only, stainless steel

Unit:
1pcs

Built-in part 1/2" f/spout, wall outlet & shower arm



BIM

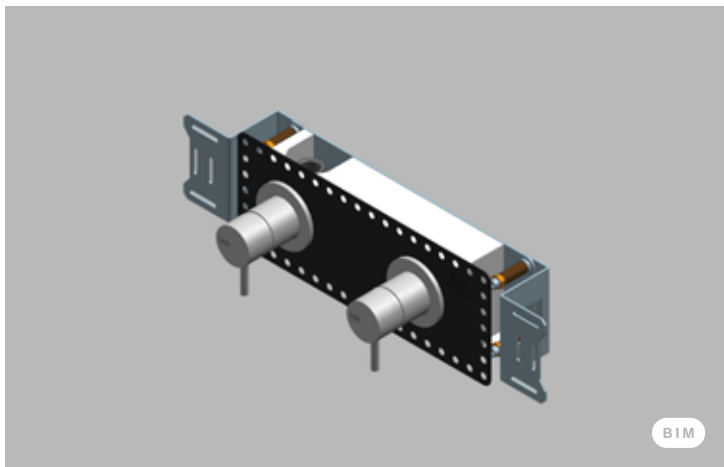


Item no.:
QS3400

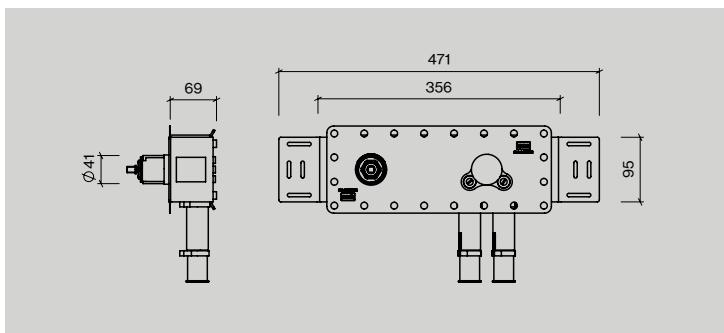
Description:
Built-in part only, stainless steel

Unit:
1pcs

Built-in part f/ diverter and thermostat



BIM

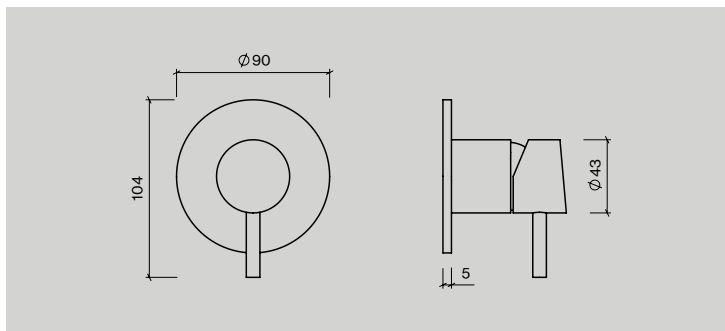
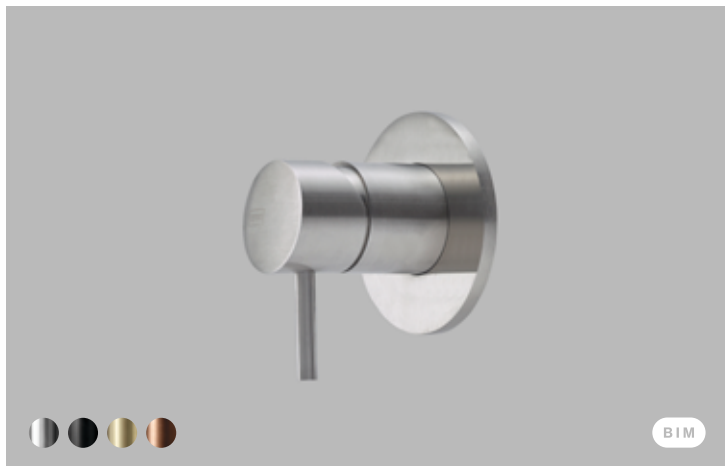


Item no.:
QS3300

Description:
Built-in part only, stainless steel

Unit:
1pcs

Control f/wall mounted mixer

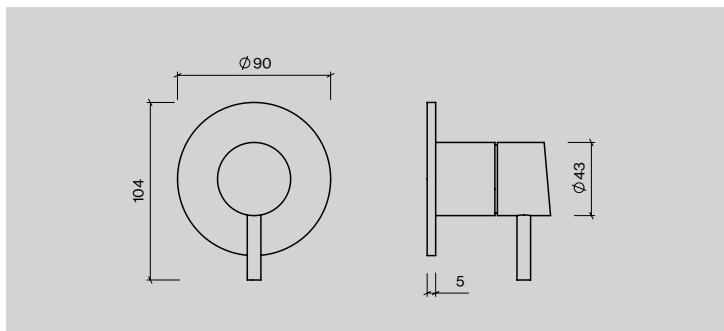
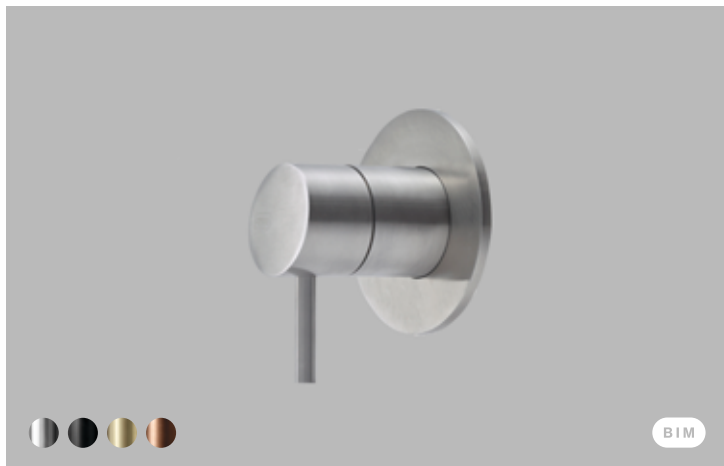


Item no.:
QA2190M
QA2190P

Description:
Ø90mm rose, satin stainless steel
Ø90mm rose, polished stainless steel

Unit:
1pcs
1pcs

Control f/wall mounted diverter

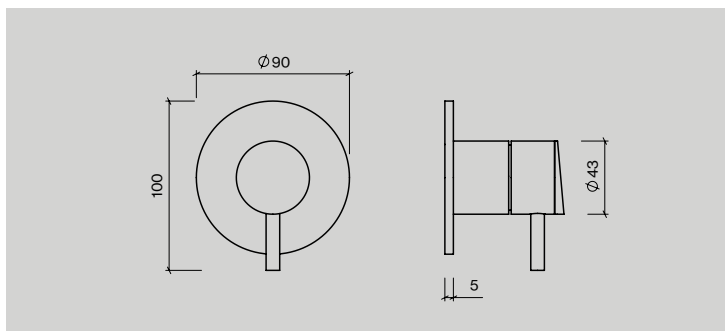


Item no.:
QA2290M
QA2290P

Description:
Ø90mm rose, satin stainless steel
Ø90mm rose, polished stainless steel

Unit:
1pcs
1pcs

Control f/wall mounted thermostat

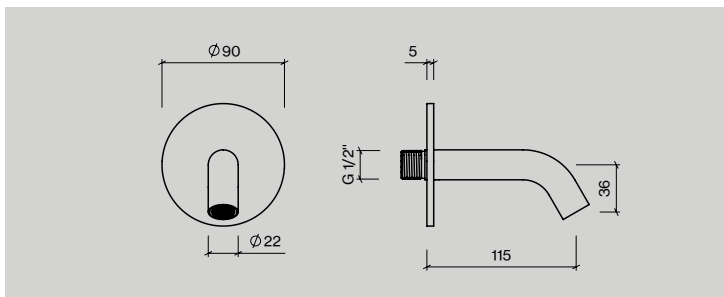


Item no.:
QA2390M
QA2390P

Description:
Ø90mm rose, satin stainless steel
Ø90mm rose, polished stainless steel

Unit:
1pcs
1pcs

Spout, 115mm

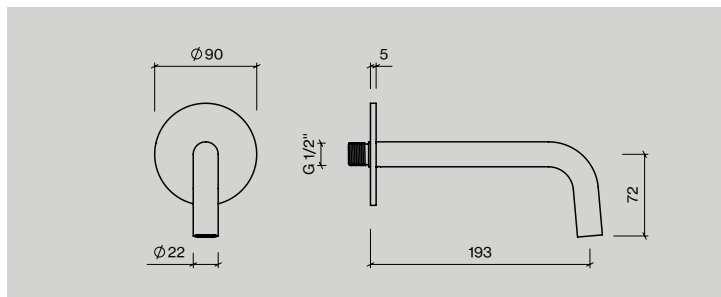


Item no.:
QA3090M
QA3090P

Description:
Ø90mm rose, satin stainless steel
Ø90mm rose, polished stainless steel

Unit:
1pcs
1pcs

Spout, 190mm

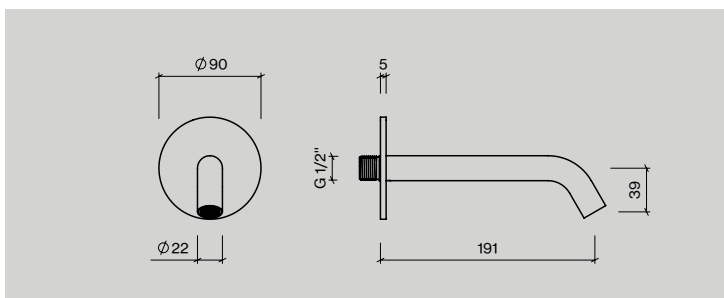


Item no.:
QA3190M
QA3190P

Description:
Ø90mm rose, satin stainless steel
Ø90mm rose, polished stainless steel

Unit:
1pcs
1pcs

Spout, 191mm

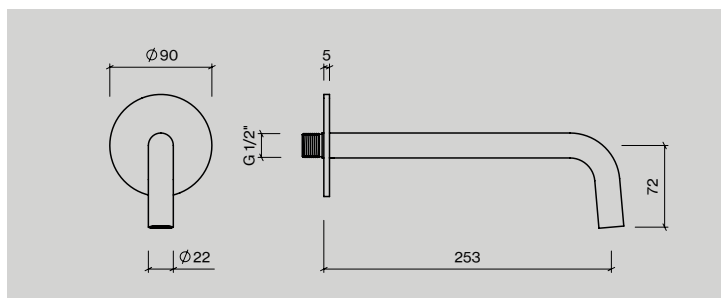


Item no.:
QA3390M
QA3390P

Description:
Ø90mm rose, satin stainless steel
Ø90mm rose, polished stainless steel

Unit:
1pcs
1pcs

Spout, 250mm

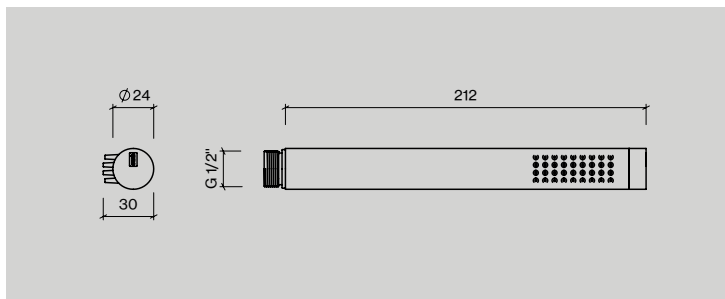


Item no.:
QA3290M
QA3290P

Description:
Ø90mm rose, satin stainless steel
Ø90mm rose, polished stainless steel

Unit:
1pcs
1pcs

Hand shower

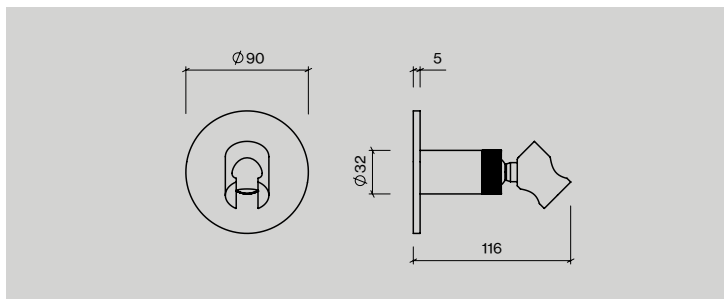


Item no.:
QS5320M
QS5320P

Description:
Ø24mm, satin stainless steel
Ø24mm, polished stainless steel

Unit:
1pcs
1pcs

Hand shower holder

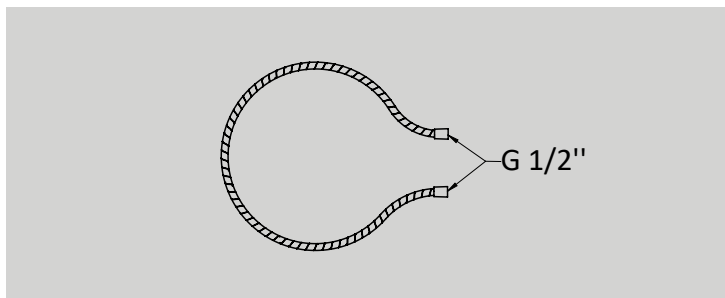
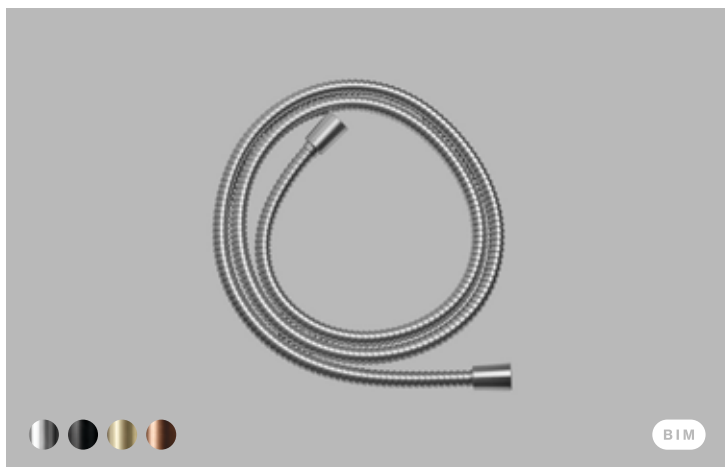


Item no.:
QS5690M
QS5690P

Description:
Ø90mm rose, wall mounted,
satin stainless steel
Ø90mm rose, wall mounted,
polished stainless steel

Unit:
1pcs
1pcs

Shower hose

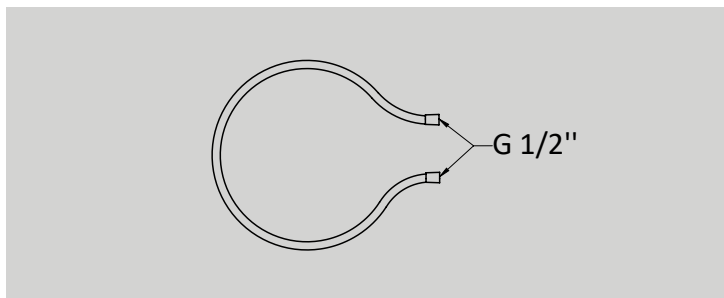


Item no.:
QS5410M
QS5410P

Description:
1750mm, satin finish
1750mm, polished finish

Unit:
1pcs
1pcs

Shower hose w/ silicone cover

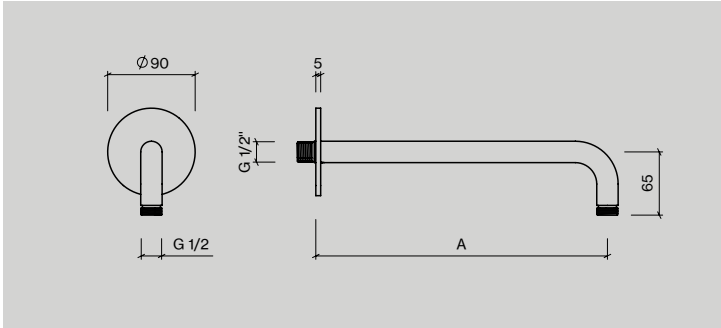


Item no.:
QS5400M
QS5400P

Description:
1750mm, satin finish
1750mm, polished finish

Unit:
1pcs
1pcs

Shower arm f/wall



Item no.:
 QS5279M
 QS5279P
 QS5289M
 QS5289P

Description:
 300mm(A), satin stainless steel
 300mm(A), polished stainless steel
 400mm(A), satin stainless steel
 400mm(A), polished stainless steel

Unit:
 1pcs
 1pcs
 1pcs
 1pcs

Shower arm f/ceiling

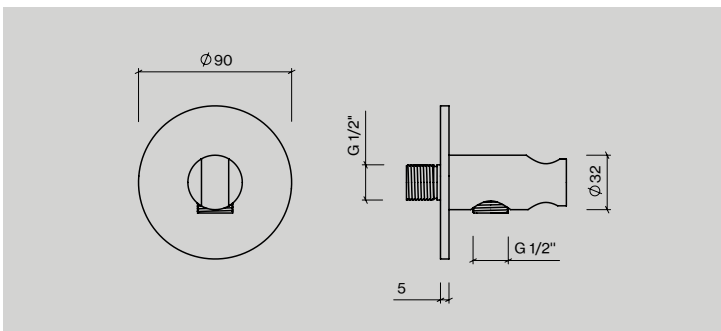


Item no.:
 QS5209M
 QS5209P
 QS5219M
 QS5219P
 QS5229M
 QS5229P
 QS5239M
 QS5239P

Description:
 100mm(A), Ø90mm rose, satin stainless steel
 100mm(A), Ø90mm rose, polished stainless steel
 200mm(A), Ø90mm rose, satin stainless steel
 200mm(A), Ø90mm rose, polished stainless steel
 300mm(A), Ø90mm rose, satin stainless steel
 300mm(A), Ø90mm rose, polished stainless steel
 400mm(A), Ø90mm rose, satin stainless steel
 400mm(A), Ø90mm rose, polished stainless steel

Unit:
 1pcs
 1pcs
 1pcs
 1pcs
 1pcs
 1pcs
 1pcs
 1pcs

Wall outlet f/hand shower

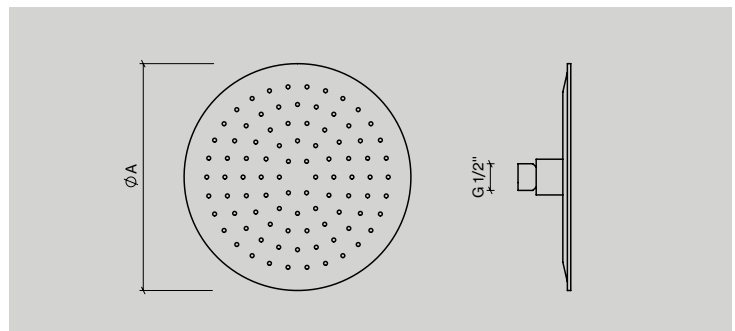


Item no.:
 QS5590M
 QS5590P

Description:
 Ø90mm rose, satin stainless steel
 Ø90mm rose, polished stainless steel

Unit:
 1pcs
 1pcs

Shower head



Item no.:
 QS5100M
 QS5100P
 QS5110M
 QS5110P

Description:
 Ø200mm(A), satin stainless steel
 Ø200mm(A), polished stainless steel
 Ø300mm(A), satin stainless steel
 Ø300mm(A), polished stainless steel

Unit:
 1pcs
 1pcs
 1pcs
 1pcs



Case:



Interior designer
Johanne Landbo

Location
Thy,
Denmark

Year
2023

Amenities
Private residence

Where contemporary meets heritage



Image left:
QS3200-340WM
 Two-way shower

Image right:
14705602243
 Toilet roll holder
129007P4001
 Fat lever handle
 charcoal
14709702100
 Waste bin with
 round hole

A year ago, Johanne Landbo and her little family took the big leap and moved from a rooftop apartment in Barcelona to an original 70's house the small Danish village Thy. Though it was a major change, they were never in doubt that this gem in Northern Jutland was their new home.

The greatest inspiration for the bathroom and the rest of the house came from old interior books from the 1970's, but since the materials from that decade can be quite remarkable Johanne wanted to combine them with clean wooden furniture and contemporary steel and charcoal elements.

The taps, showers and sanitary ware in the bathroom are steel pieces from the Qtoo and Knud Holscher collection. To create a contrast to the steel elements, Johanne chose the inflated Fat lever handle in charcoal from our collaboration with Tom Dixon.



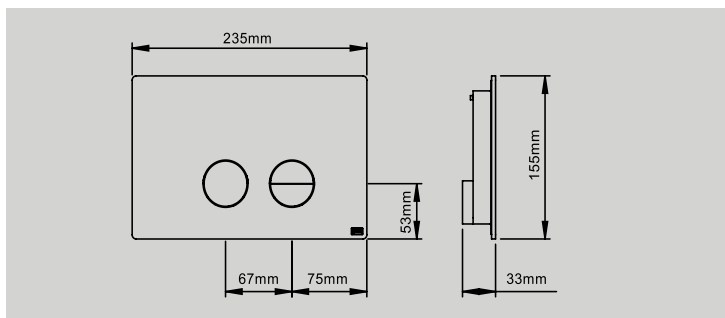
Flushing plates

Joining our Qtoo collection of taps and shower fixtures is our take on the perfect flushing plate for your wall hung cisterns.

Staying true to our design principles ours is crafted in AISI 316 stainless steel. This is not only to uphold our 20-year product warranty, but also to offer our flushing plates in the d line colour palette to mix and match with our other collections and products.

We always prefer AISI 316 stainless steel for products in bathrooms, as they can endure high humidity and increased maintenance levels that are often required in these types of spaces. Our flushing plates are compatible with Geberit Duofix Sigma solutions.

Flushing plate



Item no.:
QF6000M

Description:
170x255x4mm, satin

Unit:
1pcs

Knud Holscher collection

“Architects have a mind for unity.
In terms of design, coherence is the
word; the series forms a unity in
concert with the architecture”

– Knud Holscher







The d line sanitary range combines cleanness in its lines with cleanliness in its function, and unlike our hardware collection of individual yet complimentary items, this series consists of fittings that form a cohesive whole.



Functionality, simplicity and quality

Holscher graduated from the Royal Danish Academy of Fine Arts School of Architecture in 1957, having studied under Arne Jacobsen. Only three years later, he found himself working for his professor on St. Catherine's College, Oxford, and thumbing through stacks of brochures to piece together its finishing touches.

As a result of this frustrating exercise, Holscher came to design a series of award-winning, minimalist architectural hardware for d line, starting with the iconic U and L levers, whose characteristic bend would influence the entire product range. This also marked the first time AISI 316 stainless steel was used for hardware, and with it Holscher and d line pioneered the category's first truly enduring products.

Dispensers and bins, bathroom accessories, touchless options and barrier-free solutions make up the sanitary range, which

sits as comfortably in the interior design of private homes as in high-functioning, high-traffic public buildings.

Simple and modular, the d line sanitary range's AISI 316 rust-resistant, non-corrosive, marine quality steel stands up to the high humidity levels of the bathroom, while its subtle curved edges and functional circular hole details are a nod to the bend in our first ever products, the L and U lever handles.

Holscher has won over 70 awards for his designs, including several iF Design Awards that recognise design excellence and date back as far as 1978 and those first lever handles and doorstops for d line, many of which are exhibited at the Design Museum Denmark in Copenhagen.

Bathroom accessories

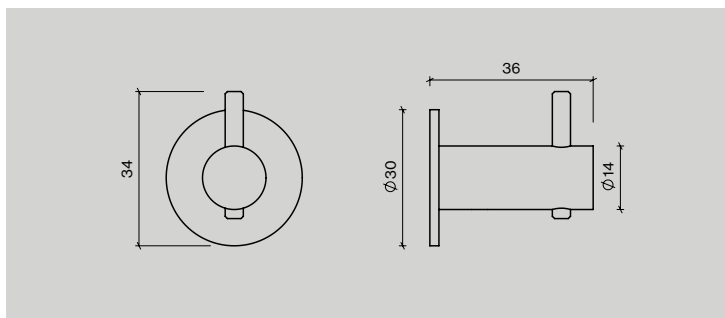
Like so many of our pieces, the bathroom accessories are characterised both by straight angles and round detailing. Each piece robustly stands up to humidity, cleaning products and years of use.

That sense of timelessness sums up our products and how their design is enduring. Because they're minimal and clean-lined enough to fit anywhere – whether a palace privy or a modern-day personal sanctuary.

Coat hook w/pin Ø14



BIM



Item no.:
14560502002

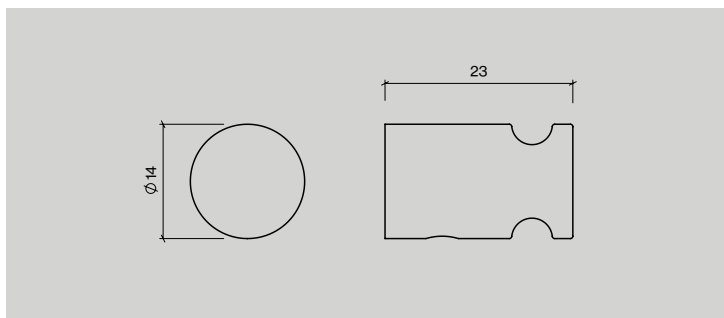
Description:
Ø14×36 mm , w/bush

Unit:
1pcs

Coat hook Ø14



BIM



Item no.:
14561002003

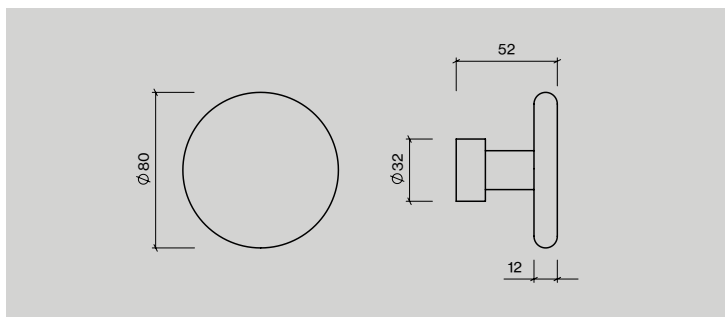
Description:
Ø14×23 mm, w/bush

Unit:
1pcs

Single wall hook



BIM

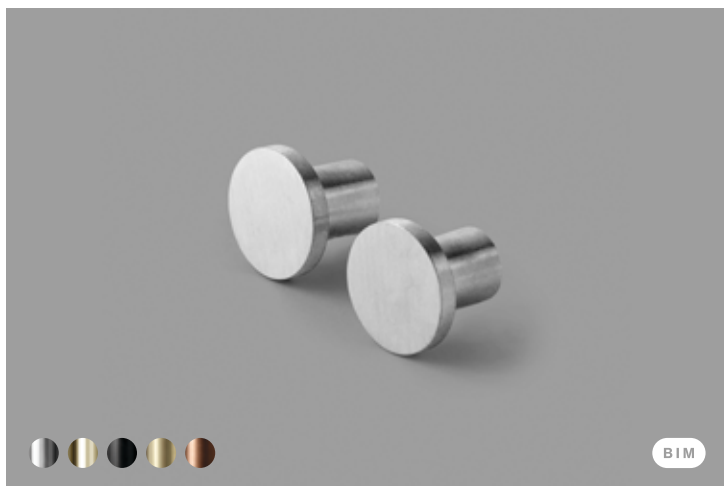


Item no.:
14562502000

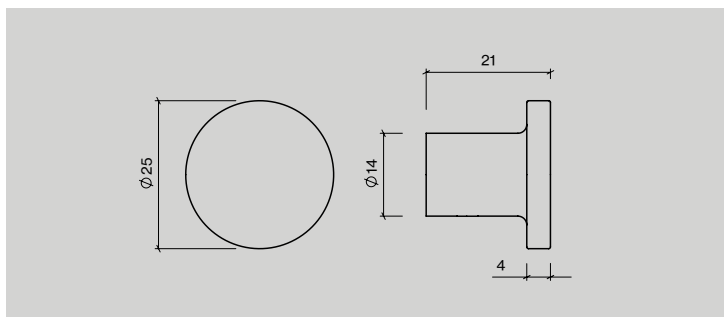
Description:
Ø80×52 mm

Unit:
1pcs

Coat hook Ø25



BIM

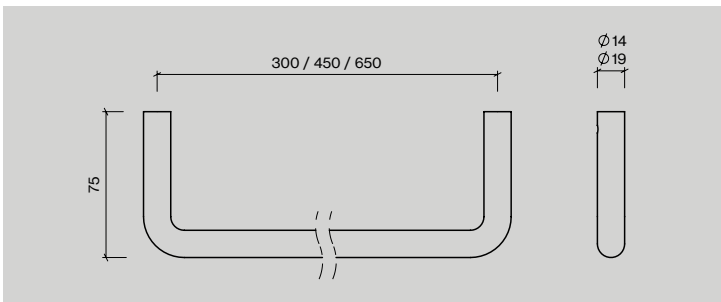
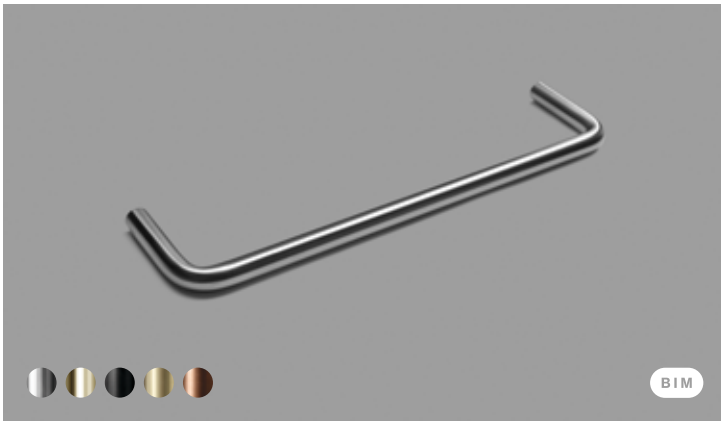


Item no.:
14560002000

Description:
Ø25×21 mm, w/bush

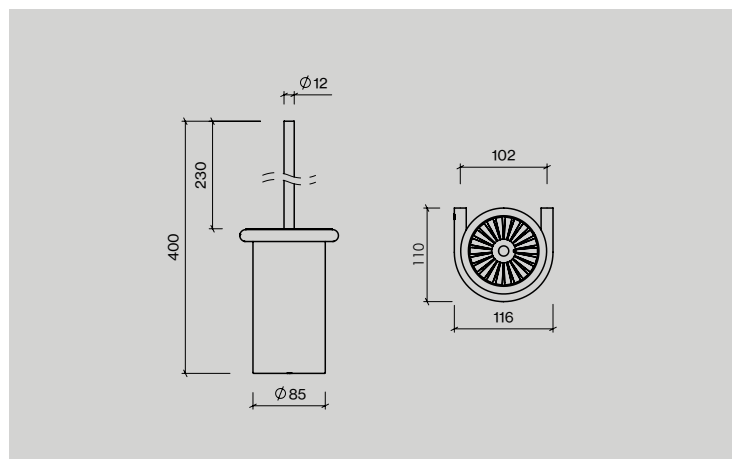
Unit:
1pcs

Towel rail



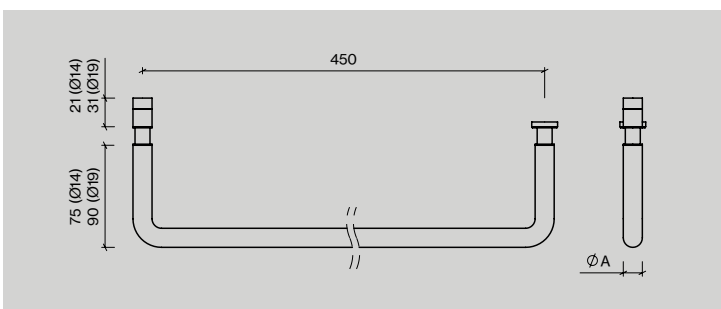
Item no.:	Description:	Unit:
14705002305	Ø14 mm, cc 300 mm	1pcs
14705002453	Ø14 mm, cc 450 mm	1pcs
14705002658	Ø14 mm, cc 650 mm	1pcs
14705202304	Ø19 mm, cc 300 mm	1pcs
14705202452	Ø19 mm, cc 450 mm	1pcs
14705202657	Ø19 mm, cc 650 mm	1pcs
14425002008	Utensile hook f/Ø19mm towel rail, Ø6×60 mm	1pcs

Toilet brush holder



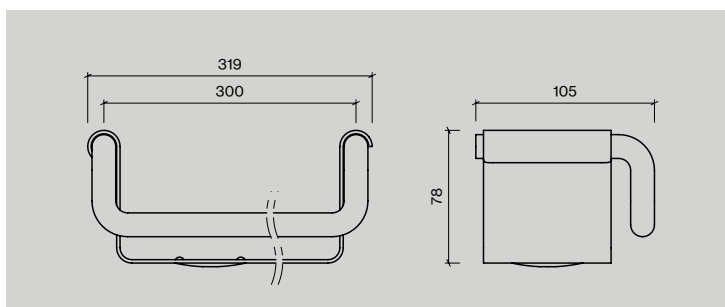
Item no.:	Description:	Unit:
14706102100	Complete set, w/grey brush	1pcs
14706102102	Theft proof, complete set, w/grey brush	1pcs
14706125134	Spare part: Grey brush incl. insert	1pcs
14706102020	Spare part: Toilet brush handle, satin stainless steel	1pcs

Shower door set



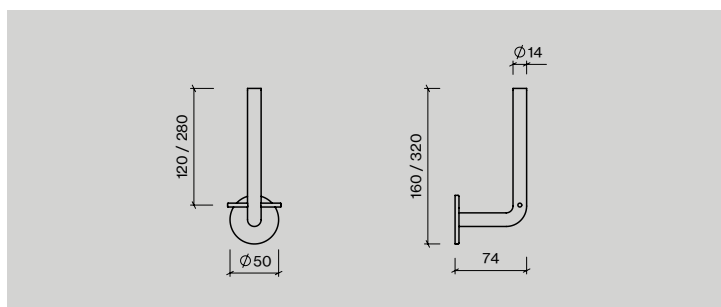
Item no.:	Description:	Unit:
14705002450	Shower door pull Ø14×450 mm, w/door stop	1set
14705202450	Shower door pull Ø19×450 mm, w/door stop	1set

Shampoo shelf



Item no.: 14703102302	Description: Ø14 mm, 319×78×75 mm, w/stainless steel shelf, theft proof	Unit: 1pcs
14702902305	Ø14 mm, 319×78×75 mm, w/white shelf	1pcs
14703002308	Ø14 mm, 319×78×75 mm, w/black shelf	1pcs

Spare toilet roll holder

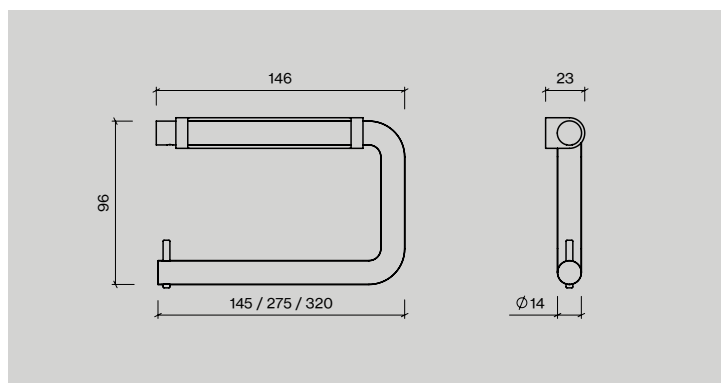


Item no.: 14706202016	Description: Ø14 mm, 72×160 mm, w/ snap on cover	Unit: 1pcs
14706202010	Ø14mm, 72×320 mm, w/ snap on cover	1pcs

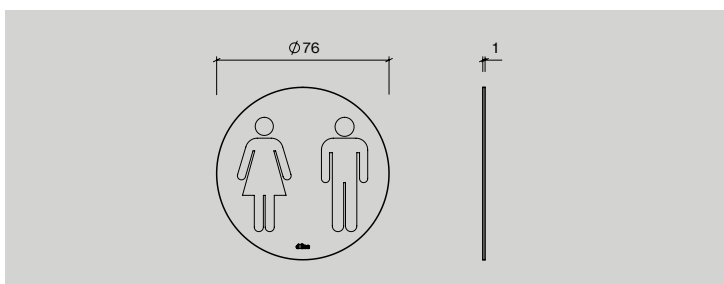
Toilet roll holder



Item no.: 14705602242	Description: Ø14 mm, 145×96 mm, w/stainless steel glass blasted bracket	Unit: 1pcs
14705602243	Ø14 mm, 145×96 mm, w/satin stainless steel bracket	1pcs
14705502140	Ø14 mm, 145×96 mm, w/white bracket	1pcs
14705602141	Ø14 mm, 145×96 mm, w/black bracket	1pcs
14705602250	Cover plate f/145×96 mm toilet roll holder, satin stainless steel	1pcs
14705702270	Ø14 mm, 275×96 mm, w/white bracket	1pcs
14705702320	Ø14 mm, 320×96 mm, w/white bracket	1pcs
14705802271	Ø14 mm, 275×96 mm, w/black bracket	1pcs
14705802328	Ø14 mm, 320×96 mm, w/black bracket	1pcs
14705902272	Ø14 mm, 275×96 mm, w/stainless steel glass blasted bracket	1pcs
14705902325	Ø14 mm, 320×96 mm, w/stainless steel glass blasted bracket	1pcs
14705902273	Ø14 mm, 275×96 mm, w/satin stainless steel bracket	1pcs
14705902323	Ø14 mm, 320×96 mm, w/satin stainless steel bracket	1pcs



Round pictogram

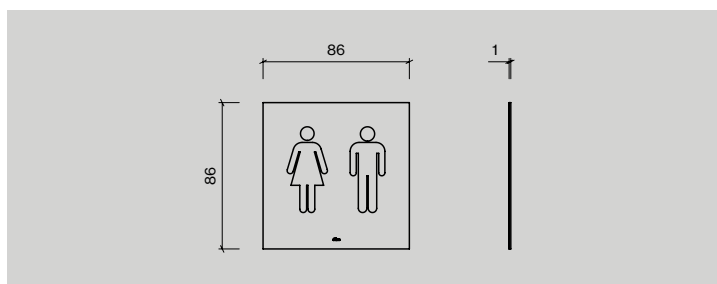
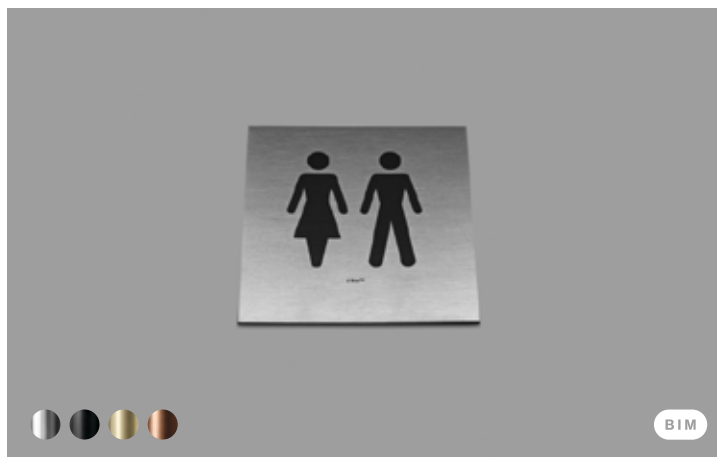


Item no.:
14379702358
14379702354
14379702350
14379702370

Description:
Unisex, stainless steel, Ø76 mm
Female, stainless steel, Ø76 mm
Male, stainless steel, Ø76 mm
Disabled, stainless steel, Ø76 mm

Unit:
1pcs
1pcs
1pcs
1pcs

Square pictogram 86×86 mm

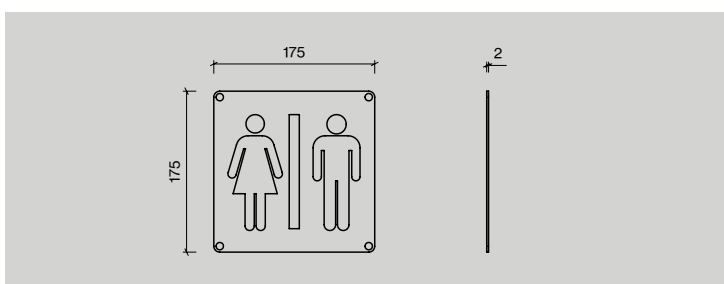


Item no.:
14379702359
14379702355
14379702351
14379702371

Description:
Unisex, stainless steel, 86×86 mm
Female, stainless steel, 86×86 mm
Male, stainless steel, 86×86 mm
Disabled, stainless steel, 86×86 mm

Unit:
1pcs
1pcs
1pcs
1pcs

Square pictogram 175×175 mm

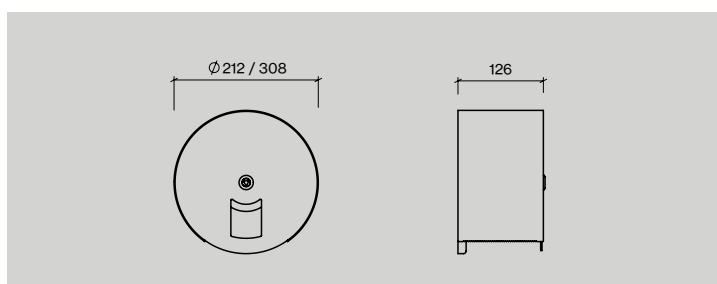


Item no.:
14377702035
14377702019
14377702027
14377702043

Description:
Unisex, stainless steel, 175×175 mm
Female, stainless steel, 175×175 mm
Male, stainless steel, 175×175 mm
Disabled, stainless steel, 175×175 mm

Unit:
1pcs
1pcs
1pcs
1pcs

Maxi toilet roll holder

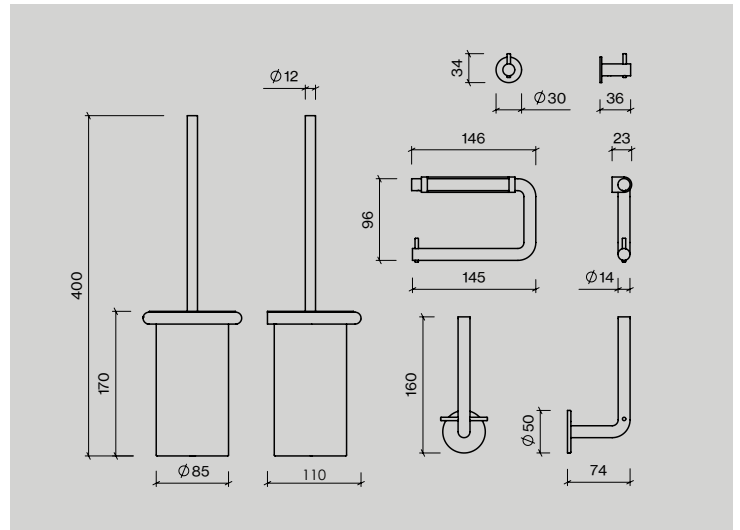


Item no.:
14708602001
14708702002
14708602200
14708702201

Description:
Ø212×126 mm, stainless steel front
Ø212×126 mm, frosted acrylic front
Ø308×126 mm, stainless steel front
Ø308×126 mm, frosted acrylic front

Unit:
1pcs
1pcs
1pcs
1pcs

Bathroom set



Item no.:
14706002007

Description:
d line bathroom box set, 145605-7056-7061-7062

Unit:
1set

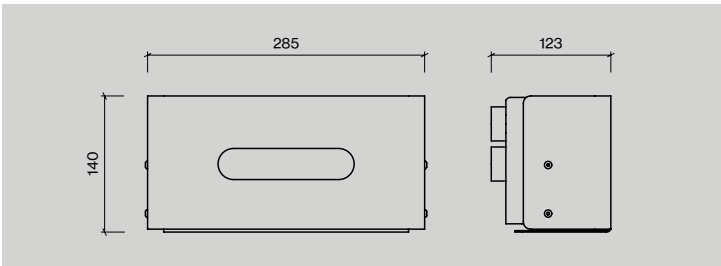
d line — Knud Holscher collection

Dispensers and waste bins

Every piece of our modular dispensers and waste bins features curved edges and hole details a nod to the original bend in the L lever handle that d line is renowned for.

But because our design is not about decorative details, the hole of course has a practical purpose: it's an indicator of when supplies of whatever the piece is holding are running low.

Tissue dispenser

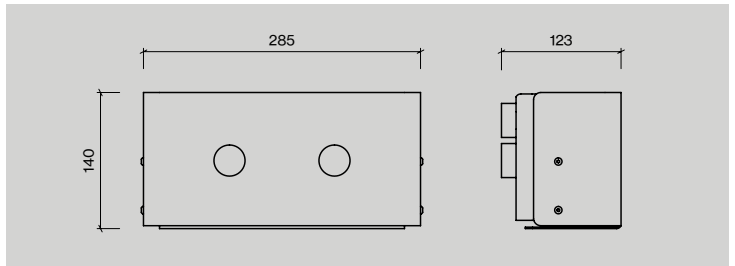


Item no.:
14709102000
14709100000

Description:
Wall mounted, 285×140×123 mm
Spare part: paper f/tissue dispenser

Unit:
1pcs
1 box of 40pcs
w/100 tissues
each

Sanitary bag dispenser

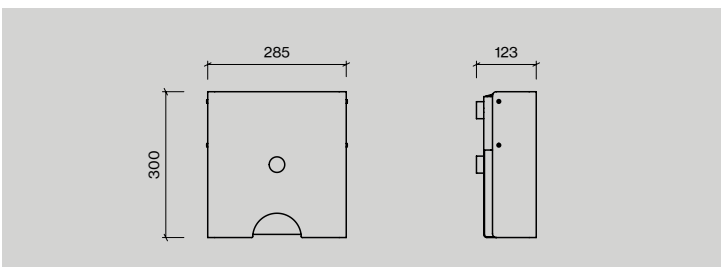


Item no.:
14709502000
14709500000

Description:
Wall mounted, 285×140×123 mm
Spare part: hygiene plastic bags f/ sanitary
bag dispenser

Unit:
1pcs
25 boxes of 50
bags

Paper towel dispenser

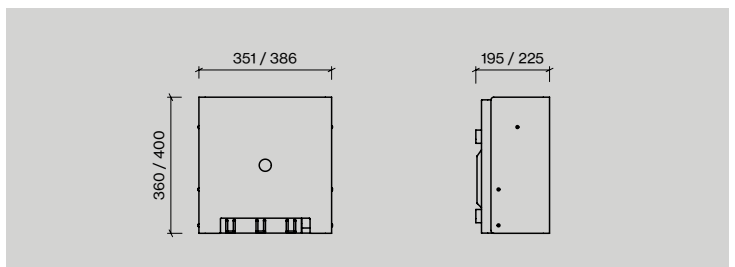


Item no.:
14708002005
14708002004
14708000000

Description:
Wall mounted, w/ lid, 285×300×123 mm
Wall mounted, w/o lid, 285×300×123 mm
Spare part: paper f/paper towel dispenser,
2 layers interfolded

Unit:
1pcs
1pcs
1pcs

Touchless paper dispenser

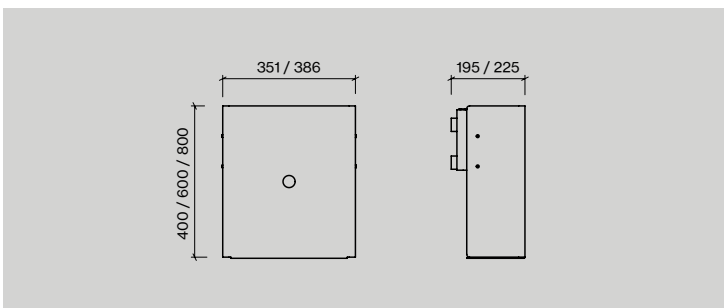


Item no.:
14708102000
14708102200
14708100002
14708100001

Description:
Wall mounted, Small, f/ paper Ø140 mm
Wall mounted, Large, f/ paper Ø200 mm
Spare part: paper f/ touchless paper
dispenser, Small, Ø140 mm
Spare part: paper f/ touchless paper
dispenser, Large, Ø200 mm

Unit:
1pcs
1pcs
10pcs
6pcs

Waste bin f/ touchless paper dispenser

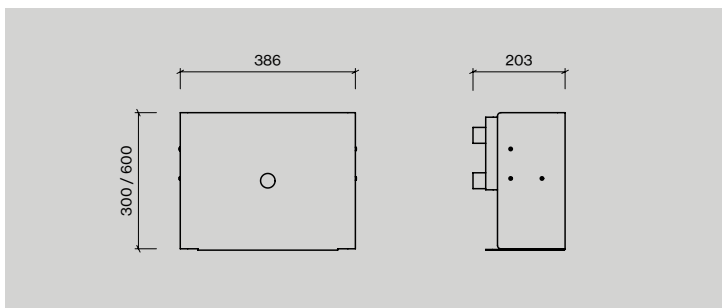


Item no.:
14709702010
14709702110
14709702210

Description:
Wall mounted, w/lid, 351×400×195 mm, 20 ltr.
Wall mounted, w/lid, 386×600×225 mm, 45 ltr.
Wall mounted, w/lid, 386×800×225 mm, 60 ltr.

Unit:
1pcs
1pcs
1pcs

Waste bin, Large

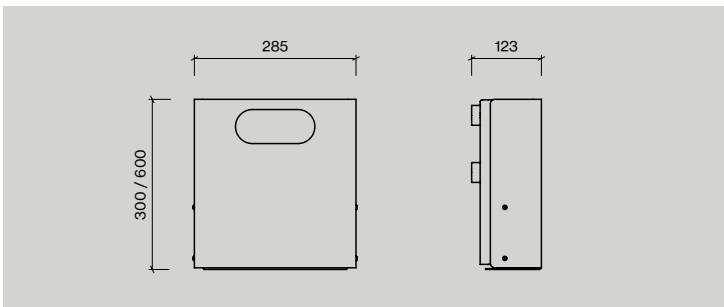


Item no.:
14708502201
14708502301
14708502308

Description:
Wall mounted, w/o lid, 386×300×203 mm, 17 ltr.
Wall mounted, w/o lid, 386×600×203 mm, 40 ltr.
Wall mounted, w/ lid, 386×600×203 mm, 40 ltr.

Unit:
1pcs
1pcs
1pcs

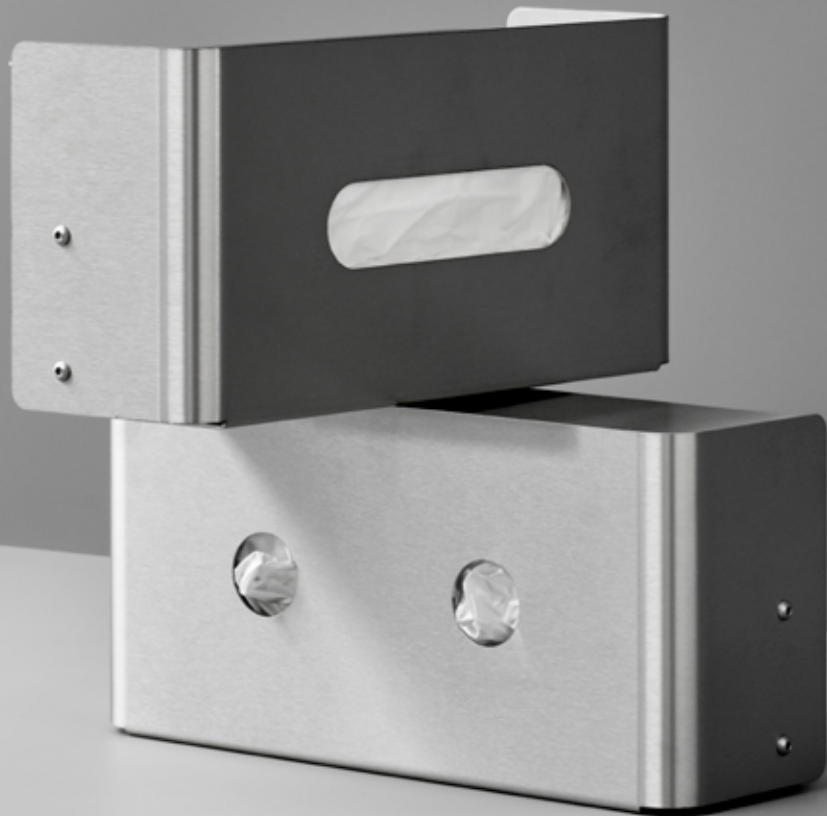
Waste bin, Small



Item no.:
14709702000
14709702100
14709702200
14709702201

Description:
Wall mounted, w/oblong hole, 285×300×123 mm, 15 ltr.
Wall mounted, w/round hole, 285×300×123 mm, 15 ltr.
Wall mounted, w/oblong hole, 285×600×123 mm, 30 ltr.
Wall mounted, w/round hole, 285×600×123 mm, 30 ltr.

Unit:
1pcs
1pcs
1pcs
1pcs



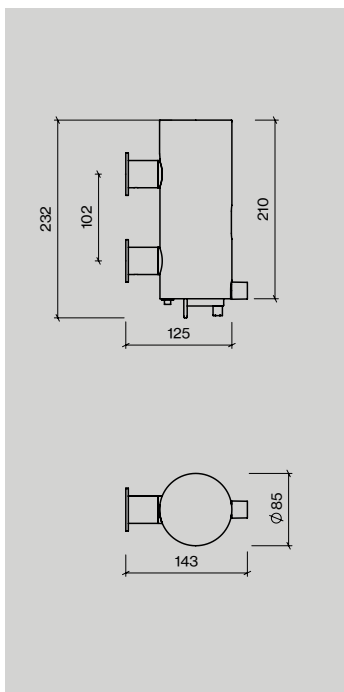
Soap dispensers

Our line of sanitary ware by Knud Holscher is a cohesive group of products in AISI 316 stainless steel, to mix, match and assign various jobs to.

The soap dispensers, traditionally used by bathroom sinks, can also be lined up and wall-mounted in the shower for shampoo, conditioner and shower gel, for a clean, bottle-free bathroom aesthetic.

Our new Touchless soap dispensers by Knud Holscher merges technology with heritage. Realised in AISI 316 stainless steel, these are already-loved pieces from our sanitary ware line, that have been given new functionality and an amplified hygiene factor by being fitted with motion-activated technology. The result? A clean look with cleaner functionality.

Soap dispenser Ø85

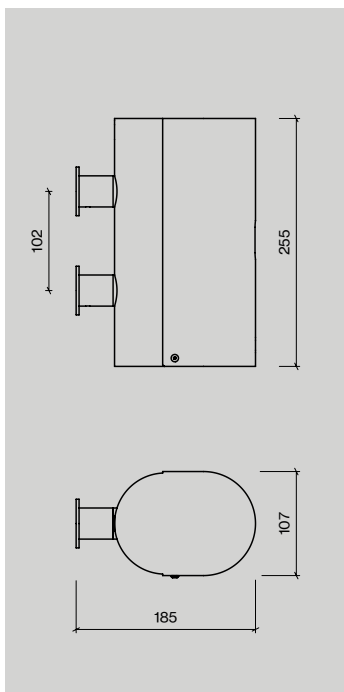


Item no.:
 14704502011
 14704502012
 14704502013
 14704502014
 14704526001
 14704526003

Description:
 Wall mounted, 350ml, w/ indicator, f/soap
 Wall mounted, 350ml, w/o indicator, f/soap
 Wall mounted, 350ml, w/ indicator, f/foam
 Wall mounted, 350ml, w/o indicator, f/foam
 Spare part: soap container f/ Ø85 mm, f/ soap & disinfectant
 Spare part: soap container f/ Ø85 mm, f/ foam

Unit:
 1pcs
 1pcs
 1pcs
 1pcs
 1pcs
 1pcs

Touchless soap dispenser



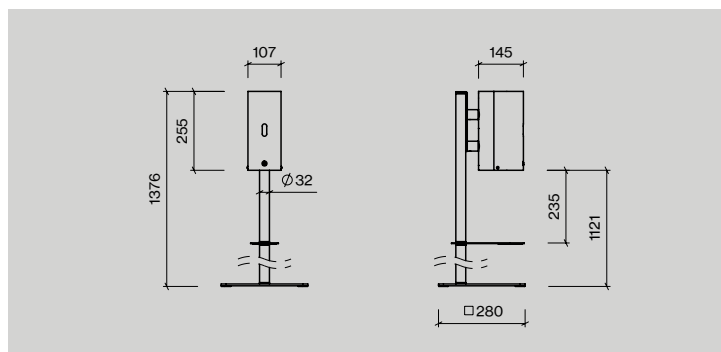
Item no.:
 14704602000
 14704602010
 14704602020
 14704602030

Description:
 Wall mounted, f/soap
 Wall mounted, f/disinfection
 Wall mounted, f/lotion
 Wall mounted, f/foam

Features:
 800ml refillable container.
 Battery or mains powered.
 AC/DC adapter details:
 Input: 100-240V, 50/60Hz, 0.5A
 Output: 6V, 1.0A

Unit:
 1pcs
 1pcs
 1pcs
 1pcs

Free-standing touchless dispenser f/disinfection



Item no.:
 14704602040

Description:
 Free-standing,
 800ml, f/ disinfection

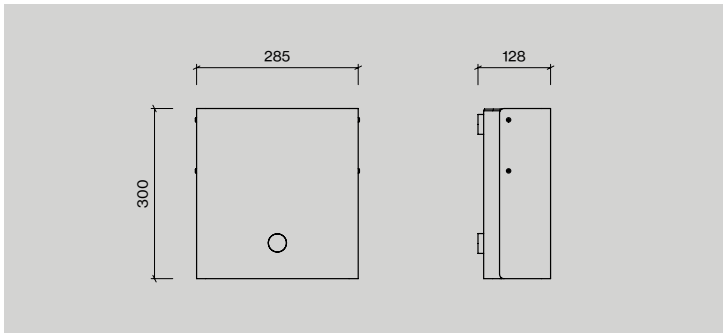
Features:
 800ml refillable container.
 Battery or mains powered.
 AC/DC adapter details:
 Input: 100-240V, 50/60Hz, 0.5A
 Output: 6V, 1.0A

Unit:
 1pcs

Hand dryers

Our series of cohesive, modular architectural hand dryers designed by Knud Holscher continues the d line curved iconography, with rounded edges and functional hole detailing, yet they also embrace the latest innovations in motion-sensor technology.

Hand dryer w/ round details

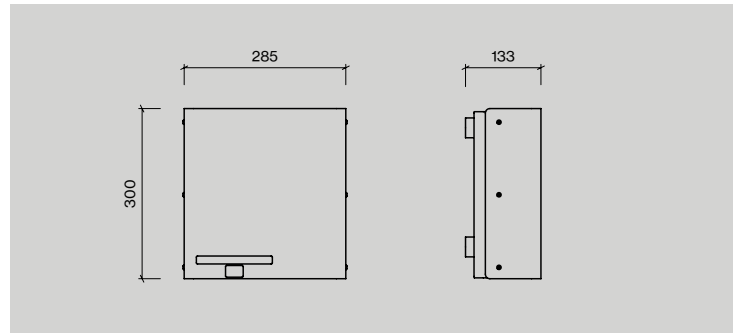


Item no.:
14708202000
14708202001

Description:
Wall mounted, voltage 220, CE/D Mark
Wall mounted, voltage 110, ETL Mark

Unit:
1pcs
1pcs

Hand dryer w/ square details



Item no.:
14708202010

Description:
Wall mounted,
voltage 100-240

Unit:
1pcs

Features:
Certified according to:
EN 60335-1:2012,
EN 60335-2-23:2003.

Barrier-free

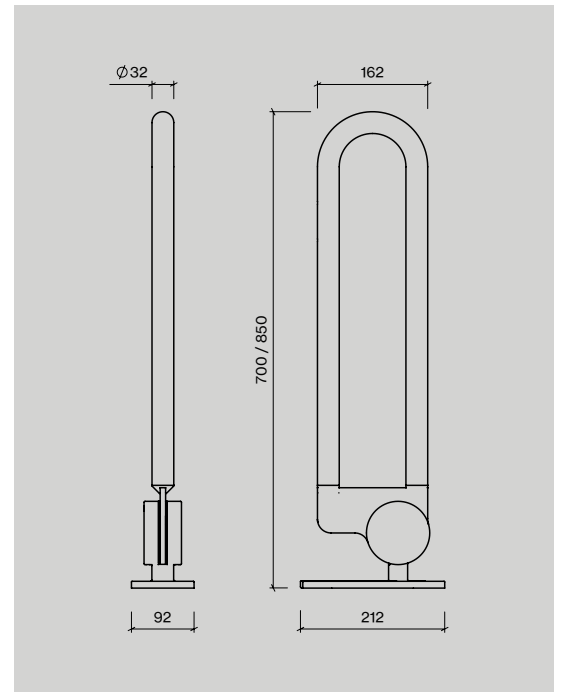
d line's move into barrier-free is about enabling people, and as with many of the products we design, our leap into this important new area started with a need.

The range serves both the disabled community and helps the elderly remain in their homes in a way that is discreet and understated. Like our other categories, our barrier-free products fuse aesthetics and functionality.

Extensive user testing has shown a great need for products in this category that look good, so we have created them with features such as user-friendly operation; different colour options for easy detection by the visually impaired; and warmth to their touch to avoid causing pain to arthritis sufferers (the foldable seat).

Our solutions within barrier-free further extends into hardware and taps and shower fixtures. Combine our pieces from the Knud Holscher and Qtoo collections of barrier-free items to create safe spaces for the less abled.

Foldable grab bar



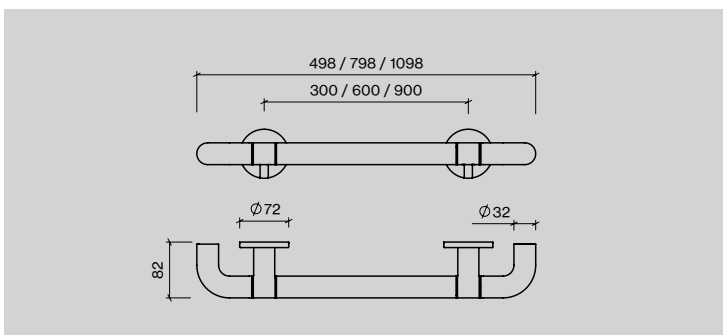
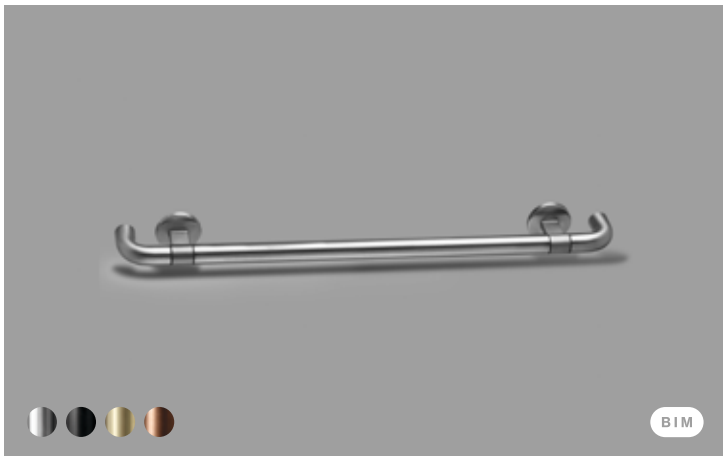
Item no.:
14750202703
14750202853
14755602006
14755602007

Description:
700 mm
850 mm
Spare part: toilet roll holder, w/ pin, f/grab bar
Spare part: toilet roll holder, w/o pin, f/grab bar

Unit:
1pcs
1pcs
1pcs
1pcs

Features:
Tested according to: BS EN 12182: 2012.

Grab rail set, bent end

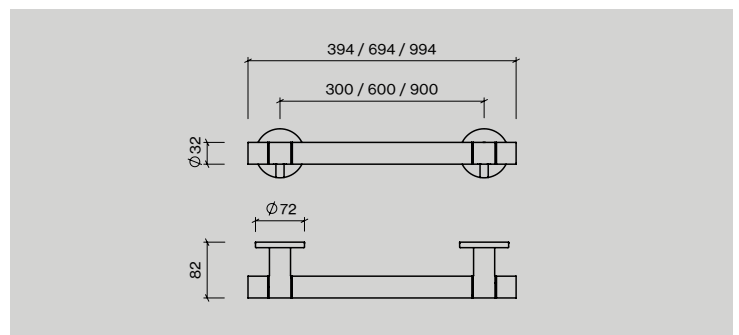
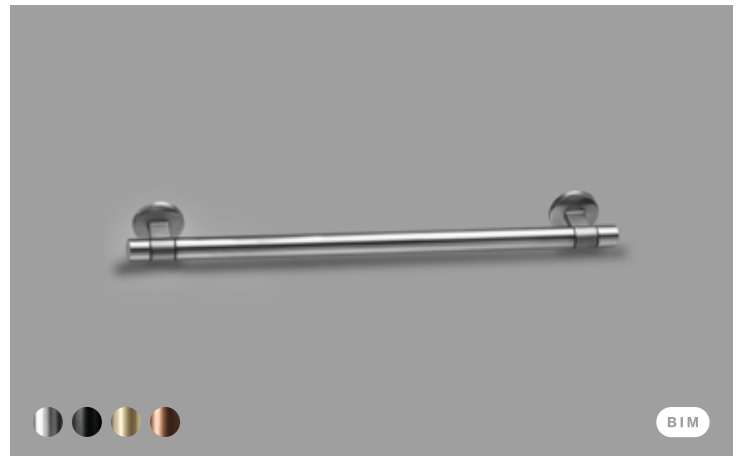


Item no.:
14751002302
14751002602
14751002902

Description:
CC 300 mm
CC 600 mm
CC 900 mm

Unit:
1set
1set
1set

Grab rail set, straight end

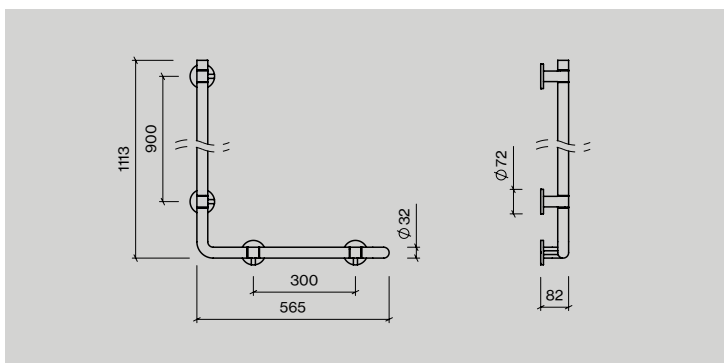


Item no.:
14751002301
14751002601
14751002901

Description:
CC 300 mm
CC 600 mm
CC 900 mm

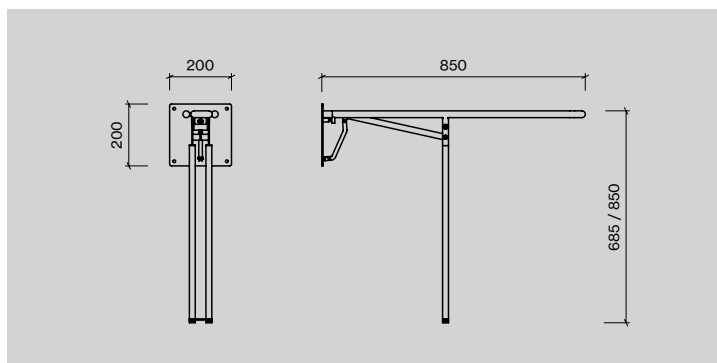
Unit:
1set
1set
1set

Grab rail system



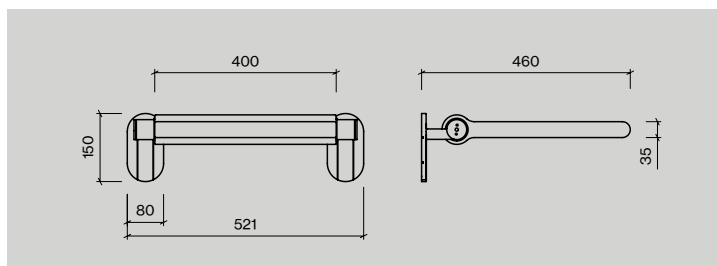
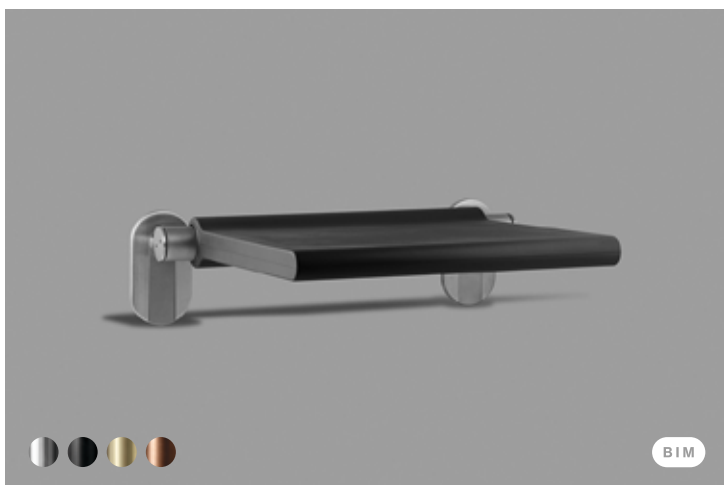
Item no.: 14751202902
Description: CC 900x300 mm
Unit: 1set

Grab bar w/ leg support



Item no.: 14750002680
 14750002850
 14750102001
 14750302850
Description: w/hinged cantilever, 685 mm, BS
 w/hinged cantilever, 850 mm, DIN
 Spare part: toilet roll holder, f/147500 grab rail
 Spare part: padding profile, f/147500 grab rail
Unit: 1pcs
 1pcs
 1pcs
 1pcs

Foldable seat



Item no.: 14750102403
Description: PU foam,
 H:150 mm,
 W: 521 mm,
 D:460 mm
Unit: 1pcs
Features: The PU-foam used for the foldable seat is REACH-conform.
 Tested according to: BS EN 12812:2012, §16.2 and §16.3.
 Max. load: 150 kg.



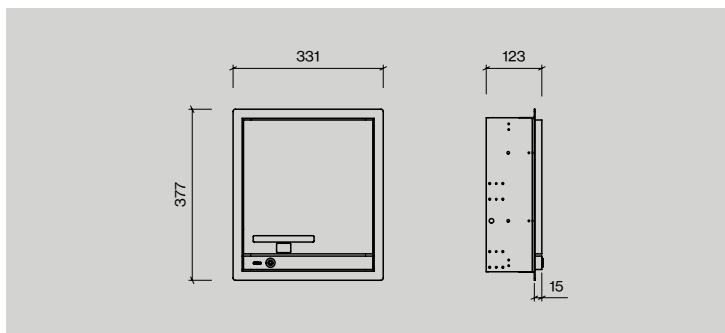
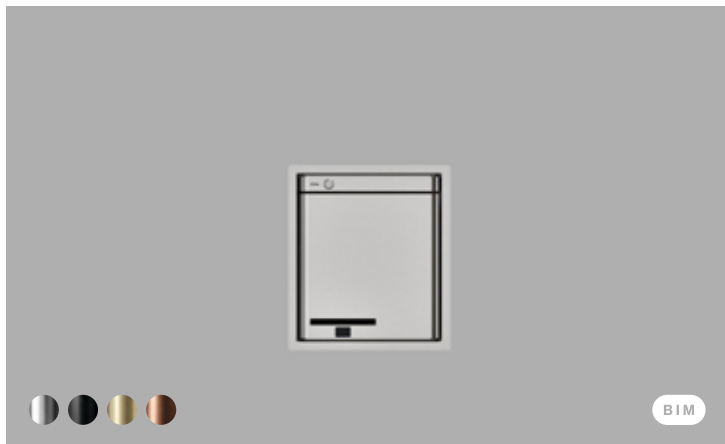
Sanitary panels

For the panel system, elements are combined within a single frame. Choose between 11 standard combinations, that offer a variety of solutions required to maintain a fully functioning, high traffic washroom. It's why everything is created in AISI 316 rust-resistant, non-corrosive, marine quality steel, which stands up to the high humidity levels of the bathroom – and its daily maintenance.

Installation of the system, pioneered over years of technical design development, takes a maximum of 20 minutes and its onepoint locking mechanism allows for cleaning and refilling every module at the turn of a single key.

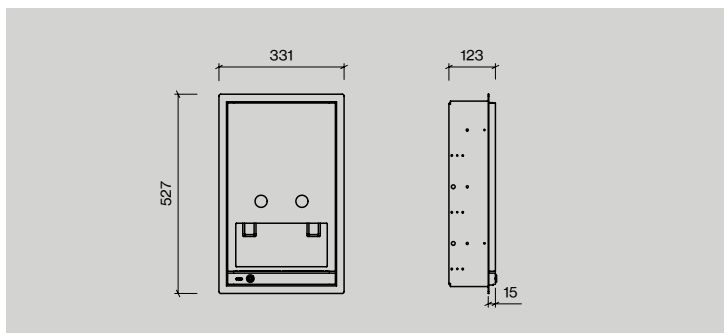
Now there are even more variations to the system's design, as each panel is available in our PVD and powder coated finishes.

Recessed hand dryer, sanitary panel E



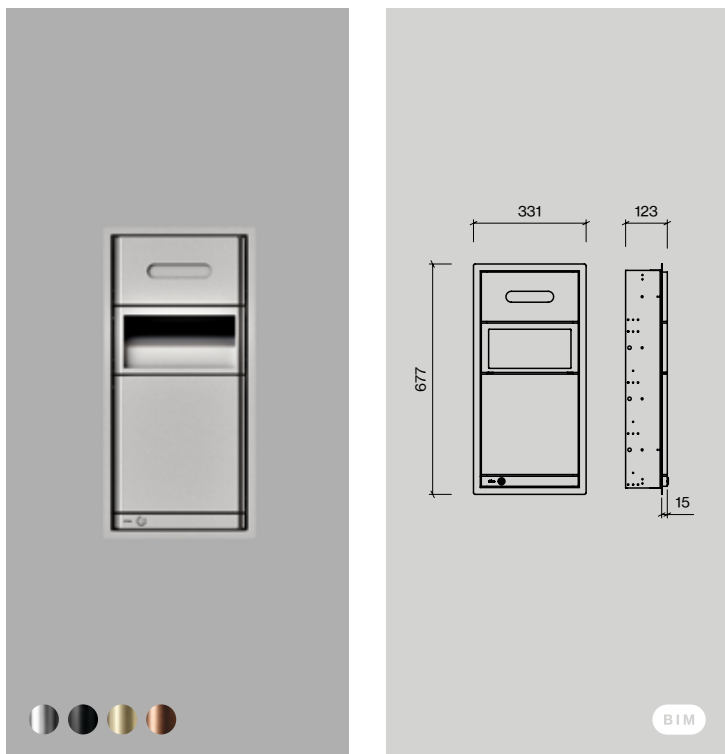
Item no.: 14710002036
Description: Hand dryer
Unit: 1pcs

Recessed paper dispenser, sanitary panel H



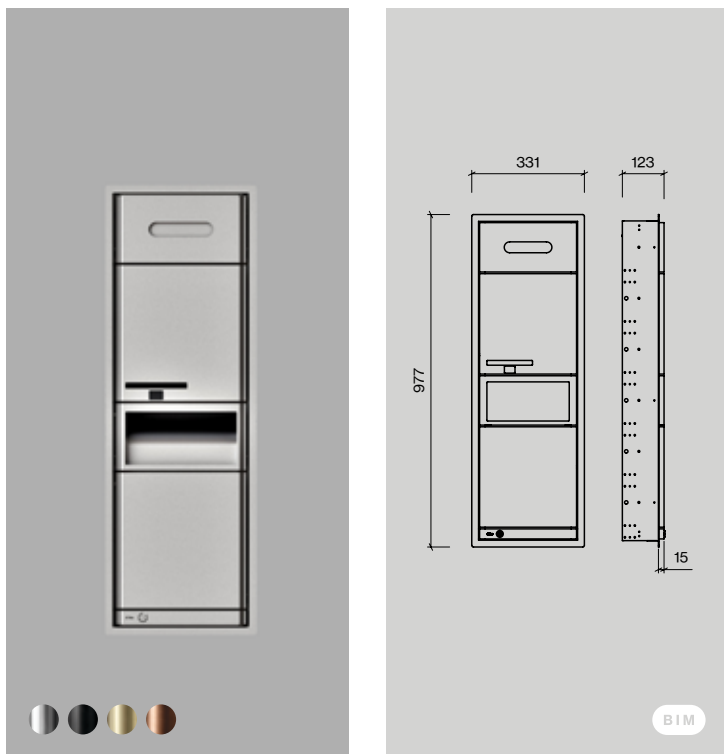
Item no.: 14710003002
Description: Paper dispenser
 Spare part: paper f/paper towel dispenser, 2 layers interfolded
Unit: 1pcs

Sanitary panel MK



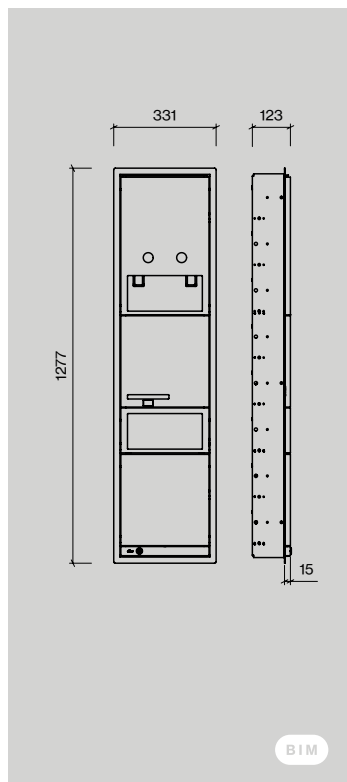
Item no.: 14710004038
 14709700000
 14709100000
Description: Tissue dispenser & mini waste bin 8 ltr.
 Spare part: plastic bags f/mini waste bin, 20ltr
 Spare part: paper f/tissue dispenser
Unit: 1pcs
 1 box = 150 rolls
 1 box of 40pcs
 w/100 tissues each

Sanitary panel MEK



Item no.: 14710006100
 14709700000
 14709100000
Description: Tissue dispenser & mini waste bin 8 ltr.
 Spare part: plastic bags f/mini waste bin, 20ltr
 Spare part: paper f/tissue dispenser
Unit: 1pcs
 1 box = 150 rolls
 1 box of 40pcs
 w/100 tissues each

Sanitary panel HEK

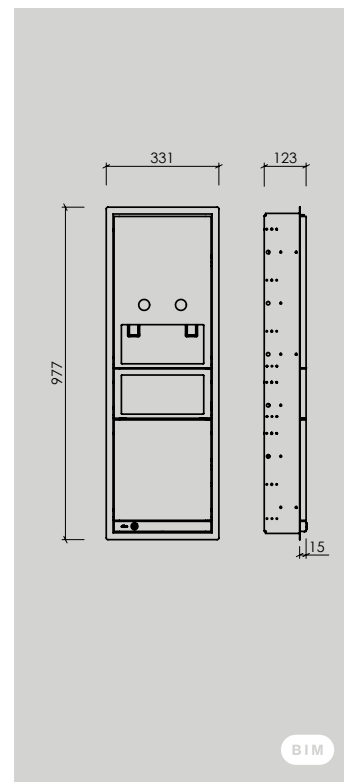


Item no.:
14710008109
14708000000
14709700000

Description:
Paper dispenser, hand dryer & mini waste bin 8 ltr.
Spare part: paper f/paper towel dispenser, 2 layers interfolded 1pcs
Spare part: plastic bags f/mini waste bin, 20ltr 1 box

Unit:
1pcs
1pcs
1 box
= 150 rolls

Sanitary panel HK

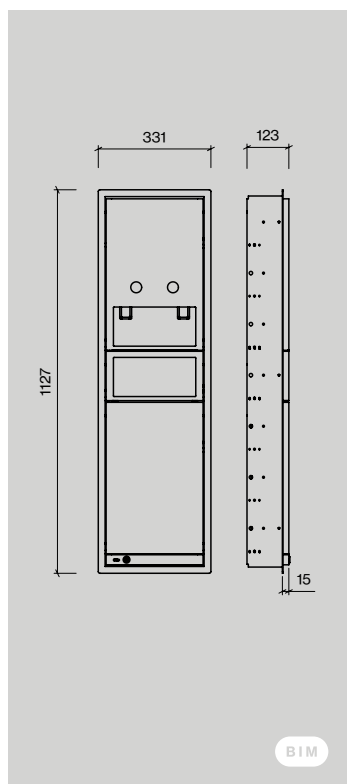


Item no.:
14710006001
14708000000
14709700000

Description:
Paper dispenser & mini waste bin 8 ltr.
Spare part: paper f/paper towel dispenser, 2 layers interfolded 1pcs
Spare part: plastic bags f/mini waste bin, 20ltr 1 box

Unit:
1pcs
1pcs
1 box
= 150 rolls

Sanitary panel HL

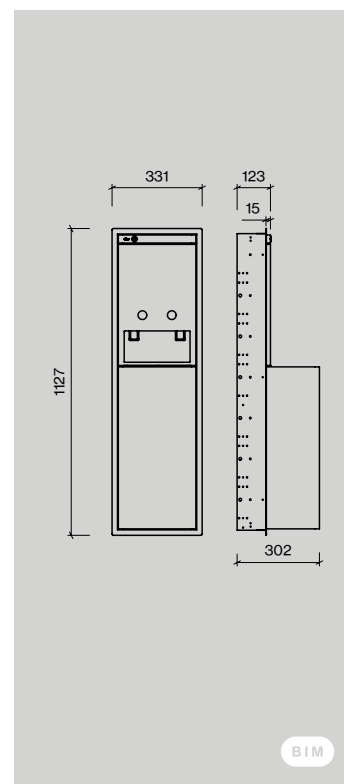


Item no.:
14710007010
14708000000
14709700001

Description:
Paper dispenser & maxi waste bin 12 ltr.
Spare part: paper f/paper towel dispenser, 2 layers interfolded 1pcs
Spare part: plastic bags f/maxi waste bin, 30ltr 1 box

Unit:
1pcs
1pcs
1 box
= 100 rolls

Sanitary panel HW

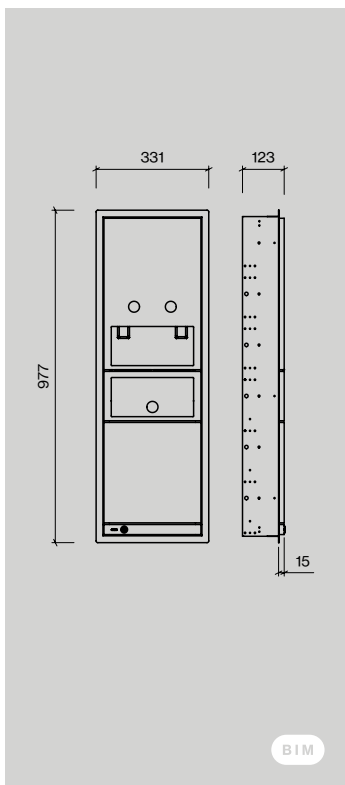


Item no.:
14710007106
14708000000
14709700002

Description:
Paper dispenser & projecting maxi waste bin 40 ltr.
Spare part: paper f/paper towel dispenser, 2 layers interfolded 1pcs
Spare part: plastic bags f/projecting maxi waste bin, 80ltr 10pcs

Unit:
1pcs
1pcs
10pcs

Sanitary panel HU

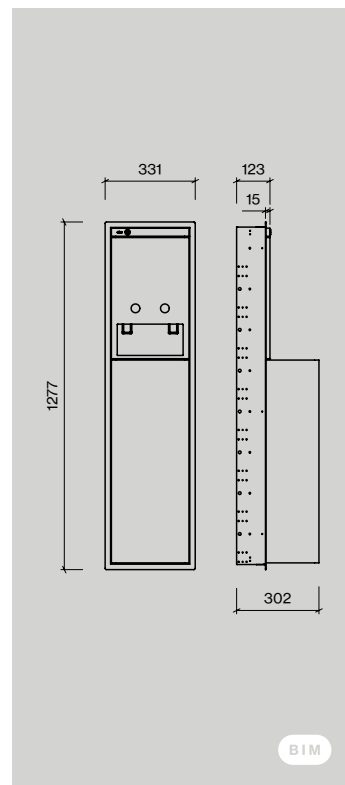


Item no.:
14710006051
14708000000
14709700000

Description:
Paper dispenser & mini waste bin w/ lid 8 ltr.
Spare part: paper f/paper towel dispenser, 2 layers interfolded
Spare part: plastic bags f/mini waste bin, 20ltr

Unit:
1pcs
1pcs
1 box
= 150 rolls

Sanitary panel HZ

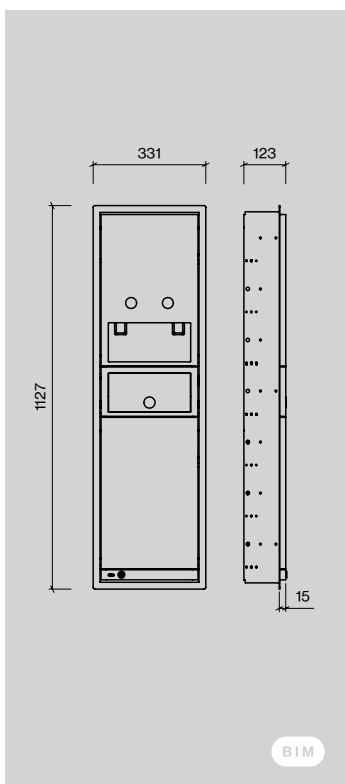


Item no.:
14710008103
14708000000
14709700002

Description:
Paper dispenser & projecting maxi waste bin 50 ltr.
Spare part: paper f/paper towel dispenser, 2 layers interfolded
Spare part: plastic bags f/projecting maxi waste bin, 80ltr

Unit:
1pcs
1pcs
10pcs

Sanitary panel HY



Item no.:
14710007073
14708000000
14709700001

Description:
Paper dispenser & maxi waste bin w/lid 12 ltr.
Spare part: paper f/paper towel dispenser, 2 layers interfolded
Spare part: plastic bags f/maxi waste bin, 30ltr

Unit:
1pcs
1pcs
1 box
= 100 rolls

Case:



Interior designer
Luke Arthur Wells

Location
Essex,
United Kingdom

Year
2023

Amenities
Private residence

A graphic contrast in the bathroom



Image left:
QT3100-190SMP4
 Built-in tap
147036P4127
 Soap dish
147056P4243
 Toilet roll holder

Image right:
147050P4305
 Towel rail

Luke Arthur Wells, British interior designer and DIY expert, has created a stunning bathroom setup with pieces in charcoal from the Qtoo and Knud Holscher collections. The result is understated, yet impactful balancing soft shapes, natural materials and graphic contrasts to the interior.

Luke has great attention to detail and the sand coloured, rounded sink paired with the off-white walls creates a beautiful tone-on-tone effect. The rich charcoal hue of the built-in tap and sanitary ware is a refreshing contrast and the light background makes them pop a little extra.



d line is available in 40-plus markets across the world



d line – Denmark
Jyllingevej 59, kld.
2720 Copenhagen
Denmark

T +45 72 17 01 38
E info@dline.com

d line – United Kingdom
17 Key Business Park
Kingsbury Road
Birmingham B24 9PT

T +44 (0) 121 373 4488
E uksales@dline.com

d line – Lithuania
Basanaviciaus 44
56133 Kaisiadorys
Lithuania

T +370 682 35431
E service@dline.com

d line – China
No. 200, Xingpu Road
Suzhou Industrial Park
China

T +0086 512 65071015
E service@dline.com

d line is available in 40-plus markets across the world, and we maintain close links with our distributors to ensure they always have the very latest details of our products, both new and existing. Because of this, we have total confidence that each of those distributors can completely support you and your

project with a full knowledge of our products and their possibilities.

We have hundreds of distributors all over the world, the latest list of which is always available at dline.com

We always name our collections after their designers, because without our designers, we simply wouldn't exist. And we work with more designers and product categories than what is represented in this book, including

**lever handles,
door stops,
cabinet handles,
and more.**

**By Arne Jacobsen,
Tom Dixon, and
Bjarke Ingels.**

Explore the collections fully, via

dline.com

curated collections
bathroom edition

