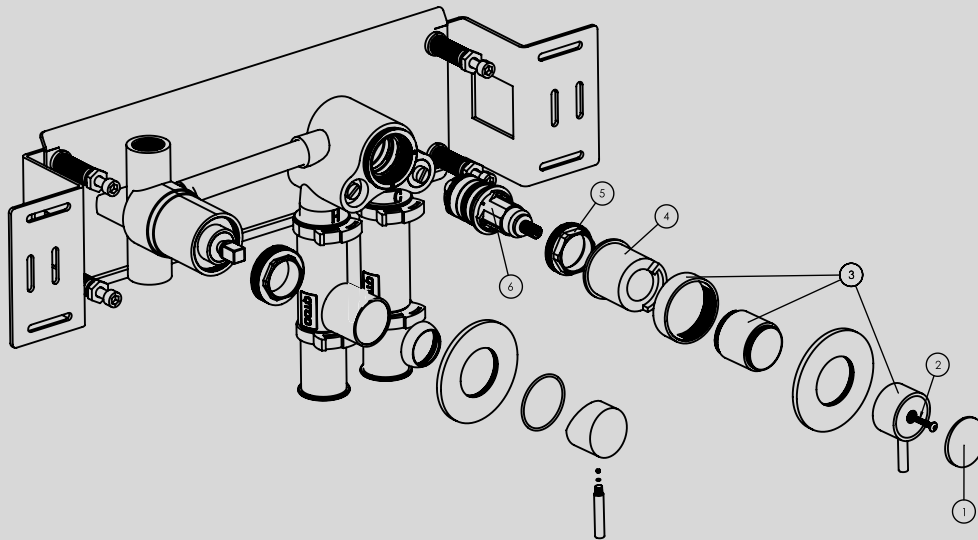


Thermostat Unit Replacement

Shut off the water!

1. Remove the design plate (the plate is threaded)
2. Loosen the screw
3. Remove the handle and design elements
4. Remove the black temperature limiter
5. Remove the locknut using a 27mm deep socket wrench
6. Replace the thermostat



Thermostat Unit Adjustment

1. Turn the “notch” as far as possible to the right (clockwise)
2. Then turn it in the opposite direction, counterclockwise, until the two indicator lines align with each other (1 & 2)

