

INSTALLATION NOTE

FLEX BOX



part of **dline**



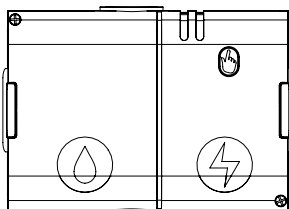
SUMMARY

- STEP 1 Turn off the water supply
- STEP 2 Install the faucet
- STEP 3 Prepare the box
- STEP 4 Fix the box
- STEP 5 Connect water supply
- STEP 6 Install the solenoid valve

- STEP 7 Connect the sensor cables
- STEP 8 Open the water supply
- STEP 9 Insert and connect batteries and/or power supply
- STEP 10 Close the box

PROVIDED EQUIPMENT

- Box (includes solenoid valve/clarinet, battery holder and/or power supply)



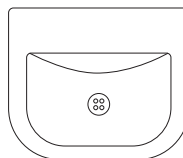
- Box power sources:
 - Batteries
 - AC/DC Power supply
 - AC/DC Power supply + Batteries * (batteries as backup system to control the faucet in any AC shut down)

FEATURES

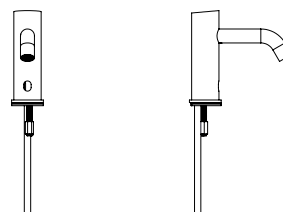
- Button : AquaStop system

OTHER REQUIRED EQUIPMENT

- Sink



- Bathroom faucet



- 6 AA alkaline batteries



- Water connection fittings and hoses



- Wrench



- Screwdriver



WARNING:

- Carry out all installation steps before opening water supply and powering up the box.

INSTALLATION NOTE

FLEX BOX



part of **dline**

Please read the following instructions carefully before using the products

OPERATING CONDITIONS

Fluid: Drinking water.

Temperature: Storage temperature between -20°C and 70°C (ensure that no water is inside the valve body). The valve is designed to operate with water temperatures between 5°C and 65°C.

Operating pressure: The valve has been designed to function with pressures between 0.5 and 8 bars.

Recommended operating pressure: 1 to 5 bars.

Hydraulic connection: G1/2 male threads.

Flow direction: Unidirectional (according to arrow on the valve side or bottom).

CONDITIONS OF USE

Depending on the sensor's programmed mode the installation operates in either hand wash or on/off mode:*

Hand wash (bathroom faucet)

To open the faucet, place hands in front of the sensor.

The faucet stays open whilst the user's hands remain in the detection zone. It closes once hands are removed from the detection zone; a comfort delay* keeps the faucet running after the user's hands are removed. A security delay* closes the faucet after a duration of detection.

STORAGE GUIDELINES

Always store boxes in their original packaging so that the product can be immediately identified easily. Following reception and inspection, the product must be placed back into its original packaging and stored as such up until the moment that the product is installed. Store boxes, within their original packaging, in a cool dry space protected from humidity, heat, frost and wind (can potentially carry solid particles such as earth, sand or cement). When testing in quality control, take care of the water quality: clear water and no silicone residue.

HANDLING GUIDELINES

Avoid damaging shocks and impacts with the box and threaded ends. The box must be handled with caution, any impact can weaken the resistance of the plastic body or cause cracks that could lead to leaks as the product ages.

ASSEMBLY INSTRUCTIONS

The box must be installed in conformity with the relevant standards and national regulations. Before installation and once the packaging is removed, check that the box is clean, and that it has not been damaged by impacts that may have occurred during the product's transportation. Check that the seals and threaded ends of the box are clean.

INSTALLATION INSTRUCTIONS

The I Flex Box should be isolated from other electrical machines that do not respect relevant EMC standards for sanitary ware installations.

All connections must be carried out in accordance with applicable standards (EN 806-4, for example) and the instructions that are detailed within this manual. Several flushes of the water pipes must be carried out prior to installation in order to eliminate dust, debris and residue from soldering fluxes. Water piping must be perfectly clean prior to the installation of the box. It is essential to allow for the possibility that the box be uninstalled at a later date (ensure that hydraulic connections are accessible, wrench passage etc.). The box must remain accessible to allow for maintenance operations (cleaning/changing filter, changing batteries for example).

Before installation turn off the water supply and check that you have all the necessary equipment.

INSTALLATION NOTE

FLEX BOX



part of **dline**

STEP 1 TURN OFF THE WATER SUPPLY

2 Turn off the water supply before intervening with the faucet or plumbing.

- 3
- 4
- 5
- 6
- 7
- 8
- 9
- 10
- 11
- 12



STEP 2 INSTALL THE FAUCET

3 Install the faucet on the sink or wall following the faucet instructions. Ensure that the sensor cables pass through the sink hole without being pinched or damaged.

- 4
- 5
- 6
- 7
- 8
- 9
- 10
- 11
- 12



STEP 3 PREPARE THE BOX

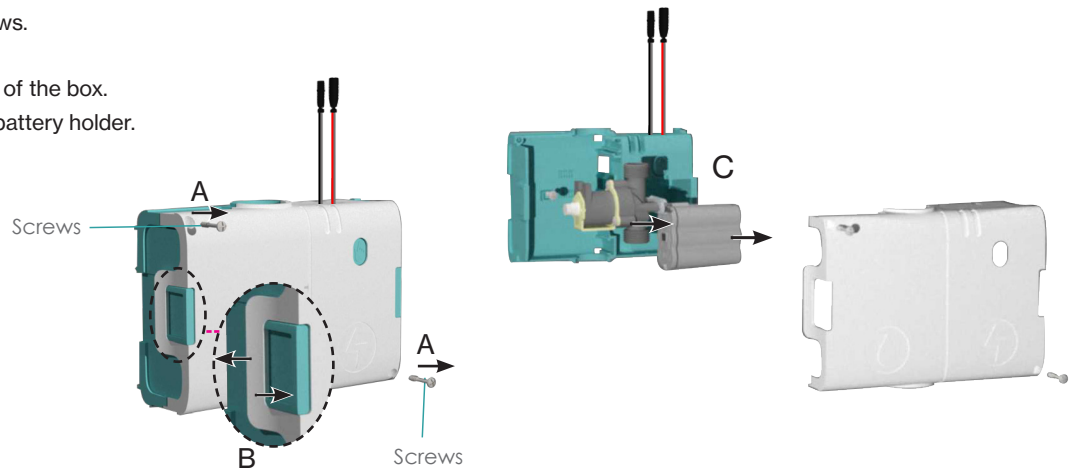
4 A - First unscrew the two screws.

5 B - Remove the cover

6 Pull the flaps on both sides of the box.

7 C - Remove the valve and the battery holder.

- 8
- 9
- 10
- 11
- 12



INSTALLATION NOTE

FLEX BOX



part of **dline**

STEP 4

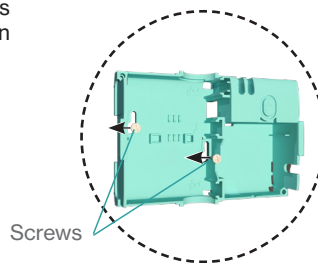
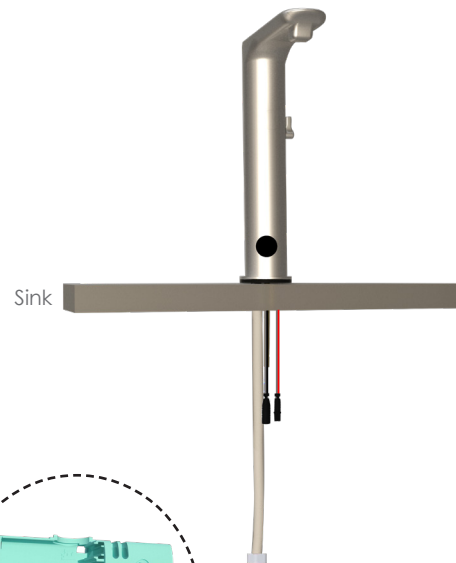
FIX THE BOX

Start by determining the correct position for the box:

- Ensure that its position allows you to make the hydraulic connections without creating unnecessary stress on the water hoses.
- Check that the water hoses are the right length and do not rely on the box to absorb the differences (risk of compromised water tightness, non-operation and even burst).
- Check that the sensor cables are able to reach the box.
- Make sure that the box will not bear the weight of the water hoses or be placed under strain by the installation.
- If used with a mains power supply, ensure that the box is close enough to a plug socket so that the power supply can be connected.

Once this has been checked, hold the box in place in the optimum position. Use a pencil to mark the position of the box's screw channels on the wall. Remove the box from the wall, then drill and install the screws at the points marked on the wall.

Fix the box to the wall.



STEP 5

ATTACH THE WATER HOSE

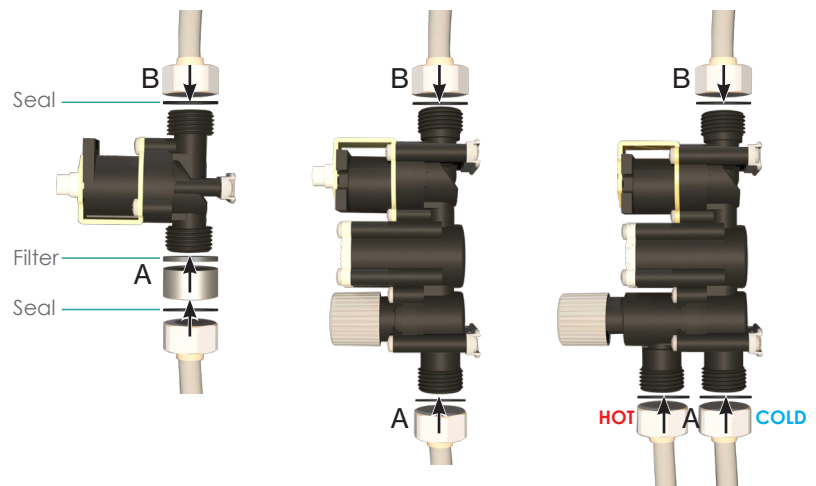
A - Attach water hose to the valve's inlet.*

B - Attach water hose to the valve's outlet.*

Ensure that the diameter of the water hoses are suitable for the valve's connectors. The standard valve connector has a 1/2" diameter.**

*please respect the below hydraulic connection recommendations.

** Other connector sizes are available for the basic solenoid valve (valve on left side), see technical note.



PRECAUTION FOR HYDRAULIC CONNECTIONS

Water tightness is preferably guaranteed by a flat seal placed between the valve thread and the hoses: ensure that seals have the correct dimensions, are clean and without defect, whilst checking that the seals are fit for purpose.

Hold the valve during the connection with water hoses, and avoid excessive strain on its hydraulics. Screw by hand to ensure correct alignment with the box's thread then screw until the mechanical stop. Finish the attachment by using an

appropriate wrench and making a ¼ turn (maximum); maximum tightening torque 5 N m.

Do not clamp the box inlet or outlet with wrench or other tools in order to avoid damage to the body's exterior surface and premature wear of internal components.

Replace the valve in the box according to the pictogram on the base of the box.

INSTALLATION NOTE

FLEX BOX



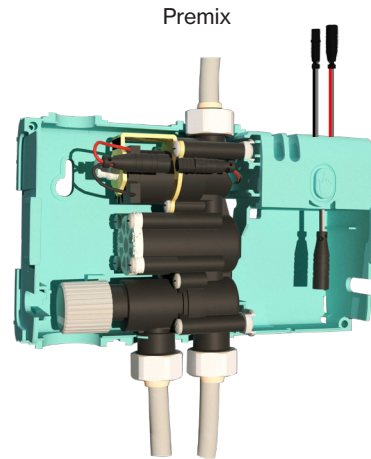
part of **dline**

- STEP 6
- 7
- 8
- 9
- 10
- 11
- 12

INSTALL THE SOLENOID VALVE

Replace the valve in the box according to the pictogram on the base of the box. The valve's position in the box varies depending on the configuration type: single flow, premix or dual flow (see visual).

Once the valve is securely placed in the box, connect the solenoid valve's cable to the box's corresponding red and black cable.

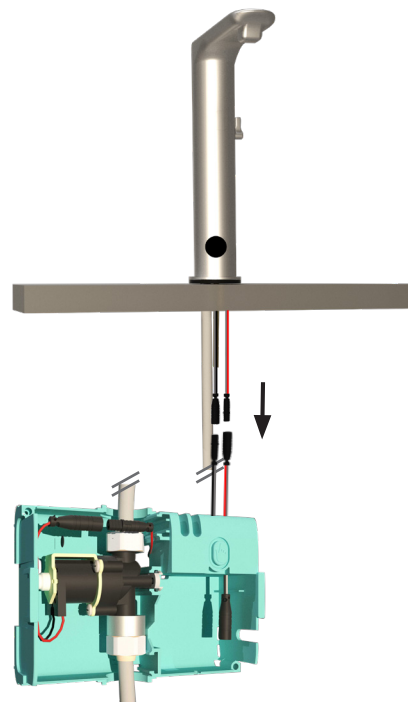


Valve direction can be inverted in the box

- STEP 7
- 8
- 9
- 10
- 11
- 12

CONNECT THE SENSOR CABLE

Connect the sensor to the box



INSTALLATION NOTE

FLEX BOX



part of **dline**

STEP 8
9
10
11
12

OPEN THE WATER SUPPLY

- Open the water supply, after which water flows into the valve.
- Water may start to flow from the faucet, this continues until the batteries are plugged in STEP 9.
- The faucet may also remain closed, but this isn't a problem.
- Whether water flows from the faucet or not depends on the solenoid valve's position (open or closed) at the time of installation.

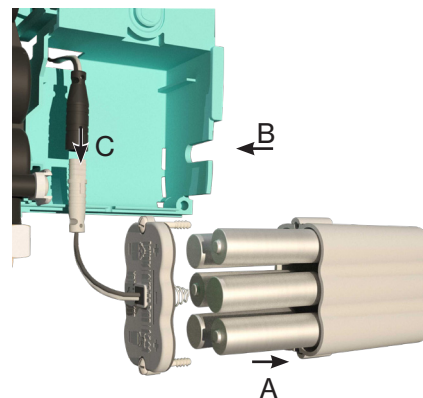
If the box contains a Premix or Single flow Clarinet rather than a basic solenoid valve, then ensure that the integrated mixer or stop valve is open.



STEP 9
10
11
12

INSERT AND CONNECT BATTERIES

- A - Place 6 AA batteries in the battery holder according to polarity.
 - B - Place the battery holder in the box.
 - C - Plug the battery holder to the corresponding connector in the box (connector with black and grey cable).
- Respect the order of sequence A,B and C.
By connecting the power, the sensor's initialisation sequence is launched.



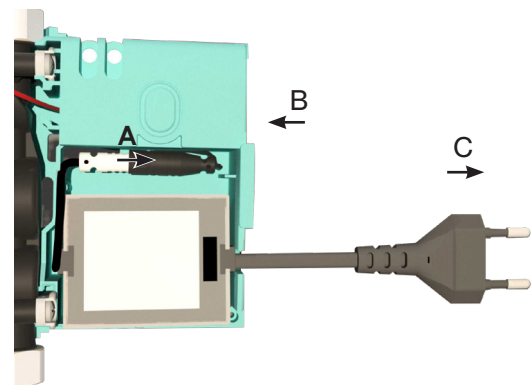
OR

INSERT AND CONNECT POWER SUPPLY

- A - Connect the power supply's DC cable (black and grey cable) to the corresponding connector in the box (box connector also has black and grey cable).
- B - Place the power supply in the box, ensuring that the AC cable passes through the gap on the side of the box.
- C - Connect the power supply's AC cable to a plug socket.

Respect the order of sequence A,B and C.

By connecting the power, the sensor's initialisation sequence is launched.



INSTALLATION NOTE

FLEX BOX



part of **dline**

INSERT AND CONNECT BATTERIES AND POWER SUPPLY

In the case of a fail-over configuration with power supply and batteries, the box has two black and grey power supply cables.

- A - Place 6 AA batteries in the battery holder according to polarity.
- B - Place the battery holder in the box.
- C - Plug the battery holder to the corresponding connector in the box (connector with black and grey cable).

By connecting the batteries, the sensor's initialisation sequence is launched.

- D - Place the power supply near the box in a position that allows the DC cable (black and grey cable) to be connected to the box and the AC cable to a plug socket.
- E - Connect the power supply's DC cable to the corresponding connector in the box (black and grey cable). The power supply cable is identified by a label «power supply».
- F - Connect the power supply's AC cable to a plug socket.
- G - Place the power supply connector on the battery holder connectors.



INSTALLATION NOTE

FLEX BOX



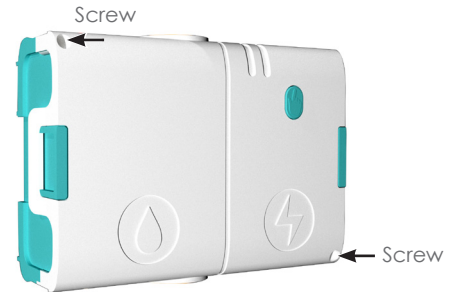
part of **dline**

STEP 10

CLOSE THE BOX

Check that there are no water leakages near the hoses, faucet and valve. Then close the box cover.

You can use the 2 screws to hold the cover in place for anti-vandal purposes.



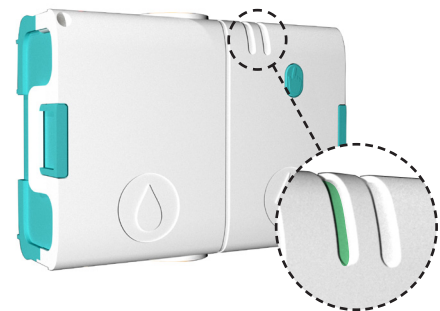
Maintenance

LED SIGNAL

- RED LED, will flashes when batteries are LOW or EMPTY.
- GREEN LED, stays ON if the AC/DC power supply is plugged in and the AC power is ON.

Immediately after connecting the power supply, a green led is lit.

If the batteries are connected alone, there is no LED signal.



LOW BATTERY

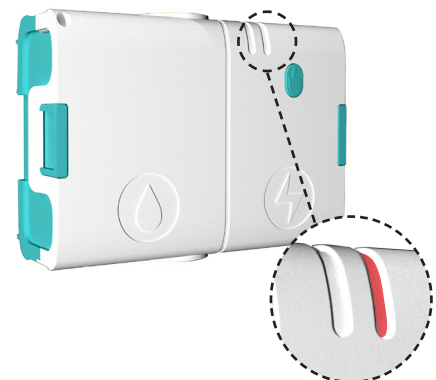
- 1 blink every 5 seconds

When batteries reach a low level the box's red LED blinks every 5 seconds. The batteries are nearly empty and need to be changed quickly before the system shuts off. It takes on average 10 days for the system to go from low battery to the shut off.

EMPTY BATTERY

- 1 blink every 5 seconds, and no water.

The batteries are empty, the system has shut off the water, and the blinking continues until no power remains or the batteries are replaced.



INSTALLATION NOTE

FLEX BOX

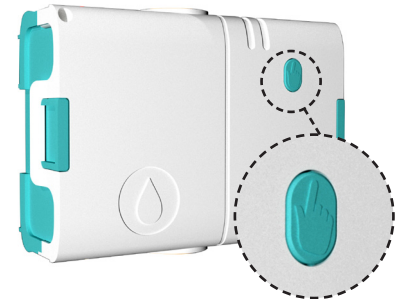


part of **dline**

The box has a pre-programmed Aquastop feature.

AQUASTOP

To ensure that the faucet doesn't open during cleaning, the aquastop function temporarily deactivates the sensor. To activate this function, press the control button and the sensor remains inactive for 60s.



FILTER MAINTENANCE

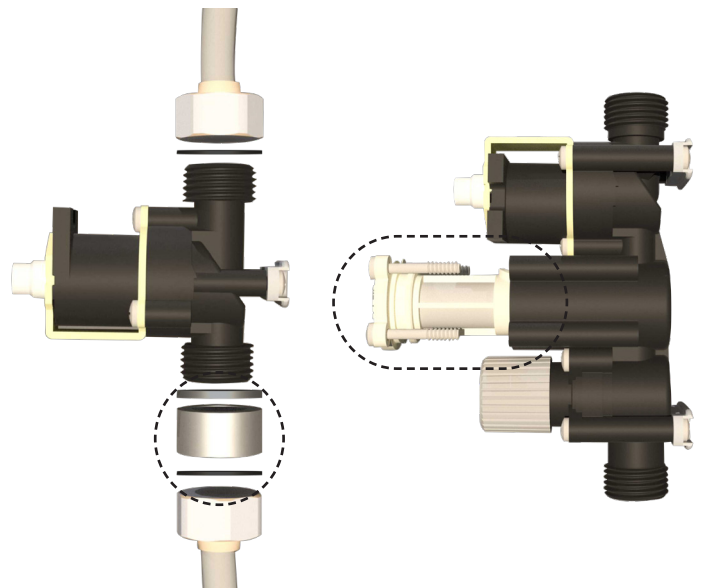
Depending on the installation's water quality it may be necessary to clean or replace the box's valve filter.

FILTER CLEANING

Remove the valve from the box. Run water into the valve's inlet, whilst tilting the valve to the side to allow impurities to pour out into the sink.

FILTER REPLACEMENT

Remove the valve from the box. Use a pair of tweezers to remove the filter from the valve. Put an identical filter in place with the filter mesh facing outwards. Push the filter into the valve up until the mechanical stop.



cf: Technical note



TROUBLESHOOTING

IF THE SYSTEM IS IRRESPONSIVE OR SUFFERS FALSE DETECTIONS, THEN IT IS POSSIBLE THAT:

- The batteries are discharged or misoriented
 - The sensor's casing is scratched or damaged.
 - An object is positioned in or near the sensor's detection zone.
 - A shiny object is in the direct environment of the sensor.
- Surrounding equipment that does not conform to EMC standards can impede the system's performance

After checking the above points, repeat steps 9.

If the problem persists please contact your maintenance provider.