

Drilling tool f/ steel door

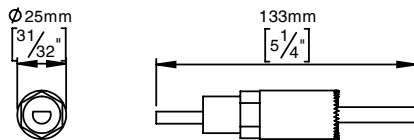
Knud Holscher collection

Product f/Ø9-25mm hole, w/8mm guide.

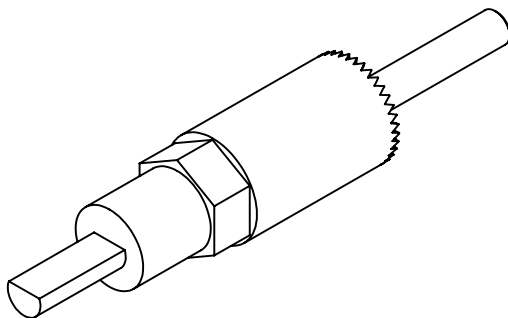
Tender text Knud Holscher collection, drilling tool, f/steel doors, f/Ø9-25mm hole, w/8mm guide.



Product specification



Available finishes



Spare parts/ accessories

Mounting <https://dline.com/mounting-instructions/>

Product care

d line products are produced in the highest quality marine grade AISI 316 stainless steel. To sustain the unique d line finish please follow the below instructions:

- Wash down the surfaces using soapy water or mild detergent
- Always thoroughly rinse off with clean water
- To complete the cleaning procedure dry/polish the surface with a soft dry cloth

Please do not use scouring powder, steel wool, chloride based detergents or other aggressive cleaning products as these may damage the surface.

If spots or corrosion appear on the surface it is not due to the stainless steel quality, but to impurities in the environment, aggressive conditions or improper or insufficient cleaning.