

Panic exit device one point lock

Knud Holscher collection

Product

W/PZ lock, push bar 950mm.

Tender text

Knud Holscher collection, panic exit device, one point lock, w/PZ lock, 950mm push bar. Manufactured in the highest quality marine grade, AISI 316 stainless steel, protecting against high levels of corrosion. Certified in accordance with EN 1125 to 377B1422AA. 20-year warranty.

Product specification

Dimensions: 1053x192x76mm

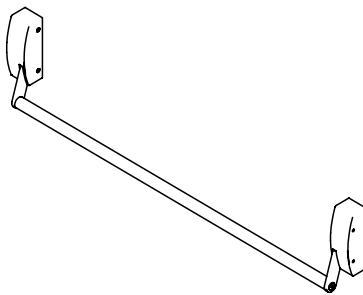
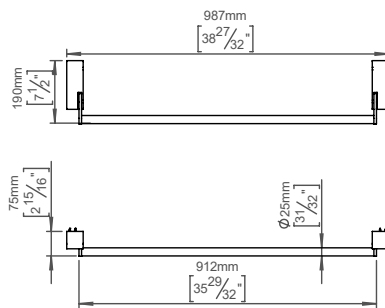
Diameter: Ø25mm

Material: stainless steel AISI 316

Surface finish: satin grain 320, crafted by hand

[20-year warranty \(5 years for coated items\)](#)

2-year defective part warranty



Available finishes

Solid metal



Satin steel



Bronze

Spare parts/
accessories

Mounting

<https://dline.com/mounting-instructions/>

Product care

d line products are produced in the highest quality marine grade AISI 316 stainless steel. To sustain the unique d line finish please follow the below instructions:

- Wash down the surfaces using soapy water or mild detergent
- Always thoroughly rinse off with clean water

- To complete the cleaning procedure dry/polish the surface with a soft dry cloth

Please do not use scouring powder, steel wool, chloride based detergents or other aggressive cleaning products as these may damage the surface.

If spots or corrosion appear on the surface it is not due to the stainless steel quality, but to impurities in the environment, aggressive conditions or improper or insufficient cleaning.