

# Toilet brush holder

Knud Holscher Collection

d line

## PRODUCT DATA SHEET

ITEM NUMBER	SURFACE
14.7061.02.100	Satin finish stainless steel
16.7061.01.100	Polished stainless steel

**PRODUCT**  
Toilet brush holder, SS handle, grey brush

### PICTURE



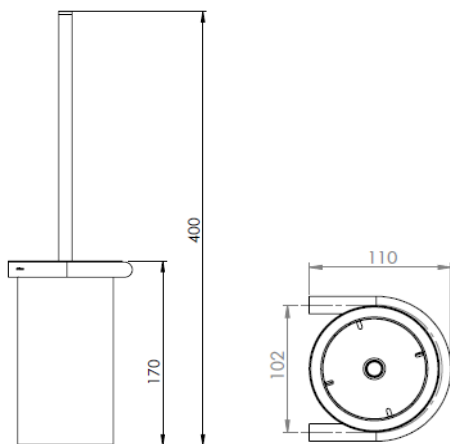
### TENDER TEXT

Toilet brush holder. Outstanding classic danish design by Knud Holscher.  
Material: stainless steel AISI 316 satin finish, grey brush. W:79 mm x H:400 mm x D:79 mm.

### PRODUCT SPECIFICATION

Dimensions: W:79 mm x H:400 mm x D:79 mm.  
Material: stainless steel AISI 316  
Surface finish: satin finish, crafted by hand  
Warranty for stainless steel (non movable ) parts - 20 years

### DRAWING



### SPARE PARTS / ACCESSORIES:

14706125134 Toiletbrush head, grey, w/inline  
14706102020 Toiletbrushhandle, SS, w/thread  
16706101020 Toiletbrushhandle, SS, w/thread  
P0000000170 Accessories f/toiletbrushholders  
P0000000452 Accessories for bathroom, Ø4,5x70/plug 8x40,set a' 2 pcs

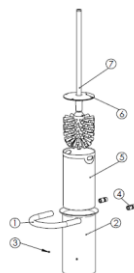
### MOUNTING:

See instruction supplied with the product

### PACKING:

1 pcs in a kolli

### ISO-DRAWING



### PRODUCT CARE

d line products are produced in the highest quality stainless steel, marine grade, AISI 316. To sustain the unique d line finish appearance please follow the below instructions:

- Wash down the surfaces using soapy water or mild detergent
- Always thoroughly rinse off with clean water
- To complete the cleaning procedure dry/polish the surfaces with a soft dry cloth

Please do not use scouring powder, steel wool, chloride based detergents or other aggressive cleaning products as these may damage the surface.

If spots or corrosion appear on the surface it is not due to the stainless steel quality, but to impurities in the environment, aggressive conditions or improper or insufficient cleaning.