

# Fat Toilet Indicator, 8L90.

Tom Dixon Collection

d line

## PRODUCT DATA SHEET

**ITEM NUMBER** 15.9012.01.101  
**SURFACE** Polished brass

**PRODUCT**  
Fat toilet indicator, 8L90, Ø70, DIN cc38, 34-48, brass.

### PICTURE



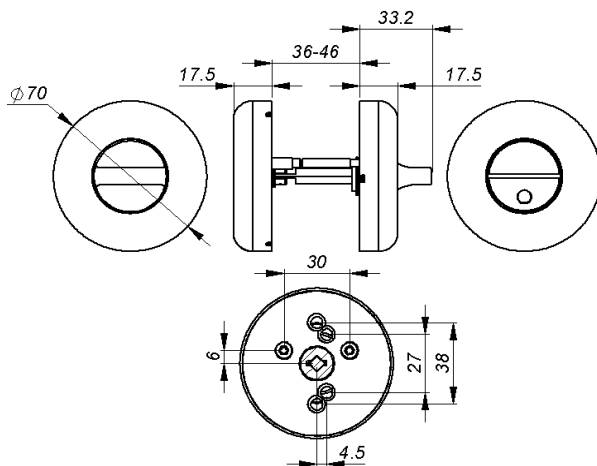
### TENDER TEXT

Fat toilet indicator, 8L90, Ø70, DIN cc38, 34-48, brass. The FAT collection is a series of architectural hardware pieces designed by English industrial designer Tom Dixon. Angular and bulbous, the pieces are a testament to form following function, whilst maintaining a humorous silhouette and a reductionist aesthetic. FAT is part of a fuller series by Tom Dixon including dining chairs, bar stools and lounge chairs. Material: polished brass. W:70 mm x H:70 mm x D:91 mm.

### PRODUCT SPECIFICATION

Dimensions: W:70 mm x H:70 mm x D:91 mm.  
Radius: Ø70  
Material: brass  
Surface finish: polished, crafted by hand  
Warranty for brass parts - 20 years

### DRAWING



### SPARE PARTS / ACCESSORIES:

14970474065 - Sectioned bolt M4 x 110 mm  
14970100030 - Grub screw M3 x 6 mm

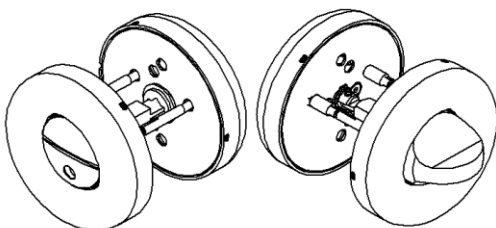
### MOUNTING:

See instruction supplied with product.

### PACKING:

6 pair per box

### ISO-DRAWING



### PRODUCT CARE

d line products are produced from brass. To sustain the unique d line finish appearance please follow the below instructions

- Wash down the surfaces using soapy water or mild detergent
- Always thoroughly rinse off with clean water
- To complete the cleaning procedure dry/polish the surfaces with a soft dry cloth

Please do not use scouring powder, steel wool, chloride based detergents or other aggressive cleaning products as these may damage the surface.