

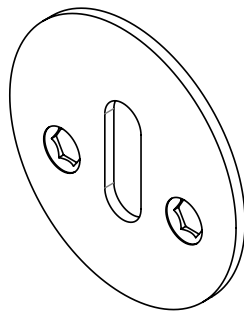
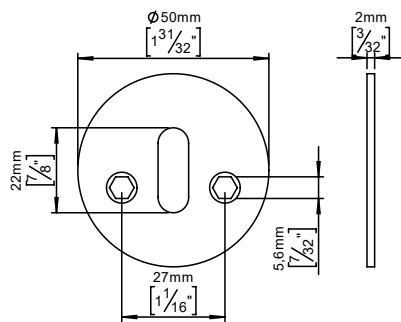
Key escutcheon

Base collection

Product Ø52mm, cc 27mm, solid rose.

Tender text BASE collection, key escutcheon, Ø50mm, solid rose, w/key hole, cc27mm, w/screws in satin finished AISI 304 stainless steel. 10-year warranty.

Product specification Dimensions: 50x50x3mm
Material: stainless steel AISI 304
Surface finish: satin grain 320
[10-year warranty](#)



Available finishes



Spare parts/ accessories P 80 - Accessories for fixing

Mounting <https://dline.com/mounting-instructions/>

Product care

d line products are produced in the highest quality AISI 304 stainless steel. To sustain the unique d line finish please follow the below instructions:

- Wash down the surfaces using soapy water or mild detergent
- Always thoroughly rinse off with clean water
- To complete the cleaning procedure dry/polish the surface with a soft dry cloth

Please do not use scouring powder, steel wool, chloride based detergents or other aggressive cleaning products as these may damage the surface.

If spots or corrosion appear on the surface it is not due to the stainless steel quality, but to impurities in the environment, aggressive conditions or improper or insufficient cleaning.