

Thumb turn

BASE collection

Product

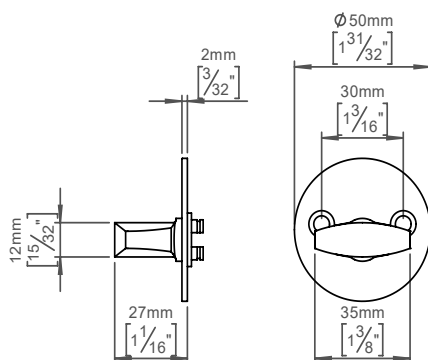
Solid rose, cc 30mm, ASSA.

Tender text

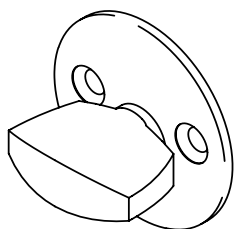
BASE collection, thumb turn, solid rose, cc 30mm, f/ASSA. Manufactured in the highest quality, AISI 304 stainless steel, protecting against high levels of corrosion. 10-year warranty.

Product specification

Dimensions: 50x30x22mm
 Diameter: Ø50mm
 Material: stainless steel AISI 304
 Surface finish: satin finished
[10-year warranty](#)


Available finishes


Satin steel


**Spare parts/
accessories**
Mounting
<https://dline.com/mounting-instructions/>
Product care

d line products are produced in the highest quality AISI 304 stainless steel. To sustain the unique d line finish please follow the below instructions:

- Wash down the surfaces using soapy water or mild detergent
 - Always thoroughly rinse off with clean water
 - To complete the cleaning procedure dry/polish the surface with a soft dry cloth
- Please do not use scouring powder, steel wool, chloride based detergents or other aggressive cleaning products as these may damage the surface.
- If spots or corrosion appear on the surface it is not due to the stainless steel quality, but to impurities in the environment, aggressive conditions or improper or insufficient cleaning.