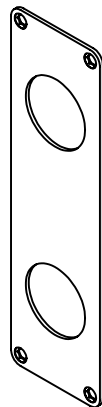
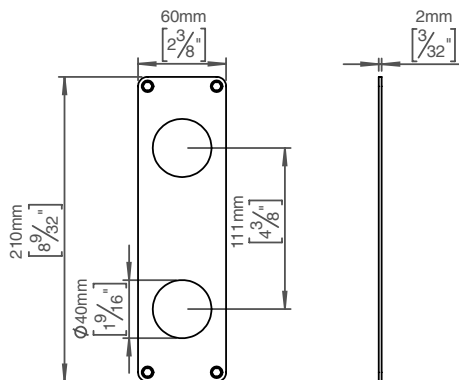


Back plate 210x55



Base collection

Product

CH, ASSA, 2 holesx=111.

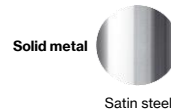
Tender text

BASE collection, back plate CH,x=111mm, 210x55x2, f/cyl. escutcheon, ASSA in satin finished AISI 304 stainless steel. 10-year warranty.

Product specification

Dimensions: 210x55x2mm
 Material: stainless steel AISI 304
 Surface finish: satin grain 320
[10-year warranty](#)

Available finishes



Spare parts/ accessories

Mounting

<https://dline.com/mounting-instructions/>

Product care

d line products are produced in the highest quality AISI 304 stainless steel. To sustain the unique d line finish please follow the below instructions:

- Wash down the surfaces using soapy water or mild detergent
- Always thoroughly rinse off with clean water
- To complete the cleaning procedure dry/polish the surface with a soft dry cloth

Please do not use scouring powder, steel wool, chloride based detergents or other aggressive cleaning products as these may damage the surface.

If spots or corrosion appear on the surface it is not due to the stainless steel quality, but to impurities in the environment, aggressive conditions or improper or insufficient cleaning.