

# Lever handle - Brass

## Classic collection

### Product

Snap-on cover, cc 30/38mm.

### Tender text

Classic collection, lever handle Coupé pair, 8x8mm, snap-on cover, cc 30/38mm, 33-59mm in polished brass. Certified in accordance with EN 1906 to 47-B1140U. 20-year warranty.

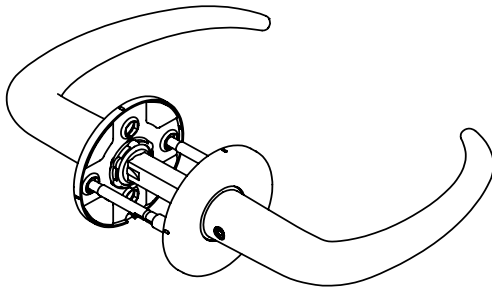
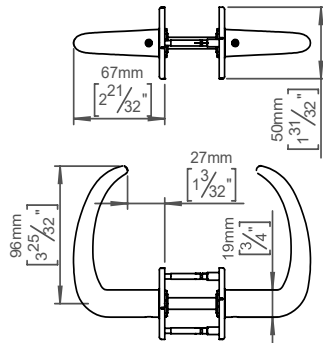
### Product specification

Dimensions: 121x50x66mm

Material: brass

Surface finish: polished

[20-year warranty \(5 years for coated items\)](#)



### Available finishes

Solid metal



Polished  
brass

### Spare parts/ accessories

14970102019 - Grub screw M5x8,3mm  
14296174107 - Sectioned bolt set M4x10mm with bush  
14281092092 - Spindle for door 33-59mm  
14976700105 - TX10 tool kit  
14293002002 - Snap-on cover tool

### Mounting

<https://dline.com/mounting-instructions/>

### Product care

d line products are produced in the highest quality brass. To sustain the unique d line finish please follow the below instructions:

- Wash down the surfaces using soapy water or mild detergent
  - Always thoroughly rinse off with clean water
  - To complete the cleaning procedure dry/polish the surface with a soft dry cloth
- Please do not use scouring powder, steel wool, chloride based detergents or other aggressive cleaning products as these may damage the surface.
- If spots or corrosion appear on the surface it is not due to the stainless steel quality, but to impurities in the environment, aggressive conditions or improper or insufficient cleaning.