

Lever handle

Classic collection

Product

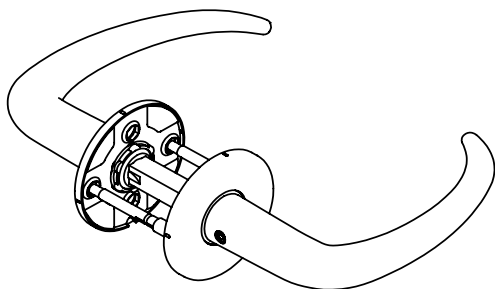
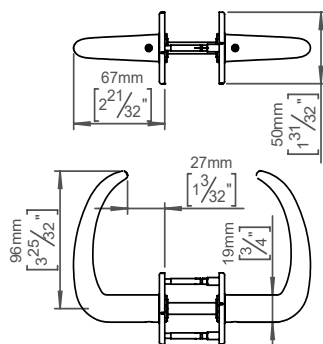
Snap-on cover, cc 30/38mm.

Tender text

Classic collection, lever handle Coupé pair, 8x8mm, snap-on cover, cc 30/38mm, 33-59mm in satin finished AISI 304 stainless steel. Certified in accordance with EN 1906 to 47-B1140U. 20-year warranty.

Product specification

Dimensions: 121x50x66mm
 Material: stainless steel AISI 304
 Surface finish: satin finished
[20-year warranty \(5 years for coated items\)](#)


Available finishes

Solid metal



Satin steel

Spare parts/ accessories

14970102019 - Grub screw M5x8,3mm
 14296174107 - Sectioned bolt set M4x10mm with bush
 14281092092 - Spindle for door 33-59mm
 14976700105 - TX10 tool kit
 14293002002 - Snap-on cover tool

Mounting
<https://dline.com/mounting-instructions/>
Product care

d line products are produced in the highest quality AISI 304 stainless steel. To sustain the unique d line finish please follow the below instructions:

- Wash down the surfaces using soapy water or mild detergent
 - Always thoroughly rinse off with clean water
 - To complete the cleaning procedure dry/polish the surface with a soft dry cloth
- Please do not use scouring powder, steel wool, chloride based detergents or other aggressive cleaning products as these may damage the surface.
- If spots or corrosion appear on the surface it is not due to the stainless steel quality, but to impurities in the environment, aggressive conditions or improper or insufficient cleaning.