

Lever handle AJ111, large - brass

Arne Jacobsen collection

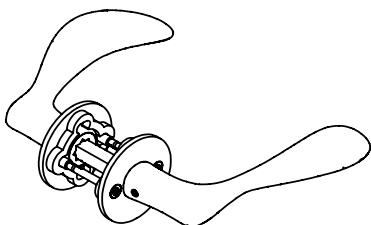
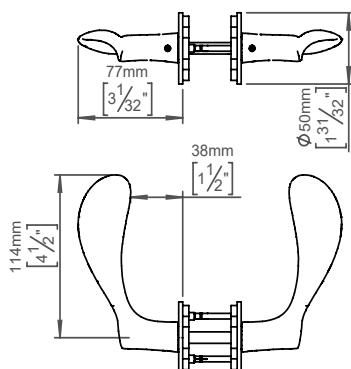
Product Solid rose, cc 30mm, 33-59mm, large, brass.

Tender text Arne Jacobsen collection, lever handle AJ large, pair, 8x8mm, solid rose, cc 30mm, 33-59mm in polished brass. Certified in accordance with EN 1906 to 47-B1140U. 20-year warranty.

Re-handle® this product to prolong its life span up to 100 years, lowering the Global Warming potential (CO2).

[Re-handle your product here](#)

Product specification Dimensions: 139x50x77mm
Material: brass
Surface finish: polished
[20-year warranty \(5 years for coated items\)](#)



Available finishes



Please note: PWD and powder coated items cannot be Re-handled

Spare parts/ accessories

- 14970102019 - Grub screw M5x8,3mm
- P 70P - Sectioned bolt set M4x110mm with bush
- 14285092092 - Spindle for door 33-59mm
- 14976700105 - TX10 tool kit

Mounting <https://dline.com/mounting-instructions/>

Product care

d line products are produced in the highest quality brass. To sustain the unique d line finish please follow the below instructions:

- Wash down the surfaces using soapy water or mild detergent
- Always thoroughly rinse off with clean water
- To complete the cleaning procedure dry/polish the surface with a soft dry cloth

Please do not use scouring powder, steel wool, chloride based detergents or other aggressive cleaning products as these may damage the surface.

If spots or corrosion appear on the surface it is not due to the stainless steel quality, but to impurities in the environment, aggressive conditions or improper or insufficient cleaning.