

Pebble thumb turn

Bjarke Ingels Group collection

Product

Snap-on cover, cc 30mm.

Tender text

Bjarke Ingels Group collection, pebble thumb turn, Ø60x34mm, f/ ASSA in satin finished AISI 304 stainless steel. 20-year warranty.

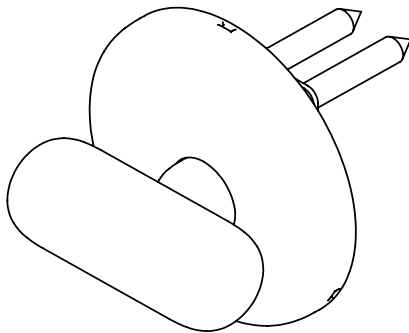
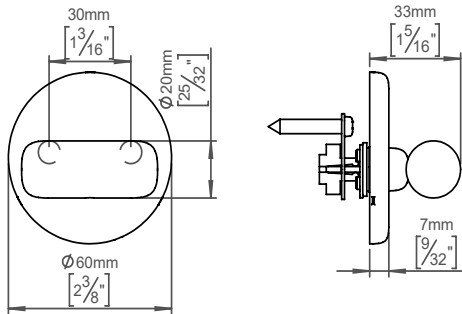
Product specification

Dimensions: 60x60x34mm

Spindle: crosspin 27mm

Material: stainless steel AISI 304

Surface finish: satin grain 320, crafted by hand
[20-year warranty \(5 years for coated items\)](#)



Available finishes

Solid metal



Satin steel

PVD



Charcoal



Copper



Brass

Powder coated

Spare parts/
accessories

14970100030 - Grub screw M3x6mm

Mounting

<https://dline.com/mounting-instructions/>

Product care

d line products are produced in the highest quality AISI 304 stainless steel. To sustain the unique d line finish please follow the below instructions:

- Wash down the surfaces using soapy water or mild detergent
 - Always thoroughly rinse off with clean water
 - To complete the cleaning procedure dry/polish the surface with a soft dry cloth
- Please do not use scouring powder, steel wool, chloride based detergents or other aggressive cleaning products as these may damage the surface.
- If spots or corrosion appear on the surface it is not due to the stainless steel quality, but to impurities in the environment, aggressive conditions or improper or insufficient cleaning.