

Pebble shower shelf

Bjarke Ingels Group collection

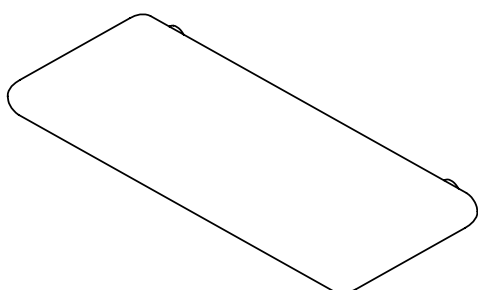
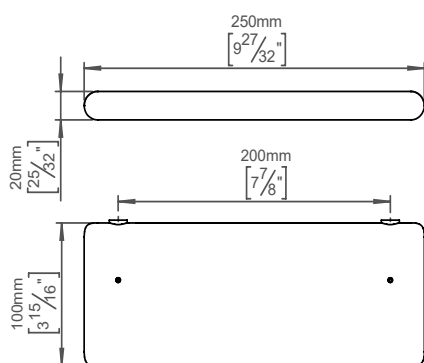
Product 20x102x250mm.

Tender text

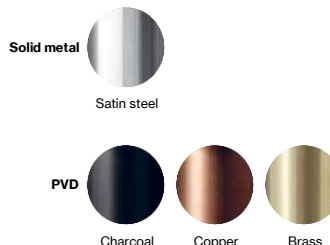
Bjarke Ingels Group collection, pebble shower shelf in satin finished AISI 304 stainless steel, self-tapping screws included. 20-year warranty.



Product specification Dimension: 100x20x250mm
Material: stainless steel AISI 304
Surface finish: satin grain 320, crafted by hand
[20-year warranty \(5 years for coated items\)](#)



Available finishes



Spare parts/ accessories

14970100050 - Grub screw M4x3,5mm
14970145070 - Wood screw Ø4,5x70mm A4
14970100150 - Fischer Dübel Ux6x50mm
14983400291 - Drill template: shower shelf

Mounting

<https://dline.com/mounting-instructions/>

Product care

d line products are produced in the highest quality AISI 304 stainless steel. To sustain the unique d line finish please follow the below instructions:

- Wash down the surfaces using soapy water or mild detergent
 - Always thoroughly rinse off with clean water
 - To complete the cleaning procedure dry/polish the surface with a soft dry cloth
- Please do not use scouring powder, steel wool, chloride based detergents or other aggressive cleaning products as these may damage the surface.
If spots or corrosion appear on the surface it is not due to the stainless steel quality, but to impurities in the environment, aggressive conditions or improper or insufficient cleaning.