

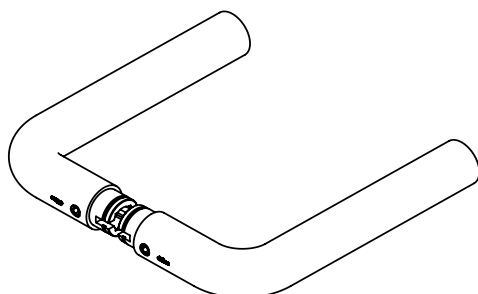
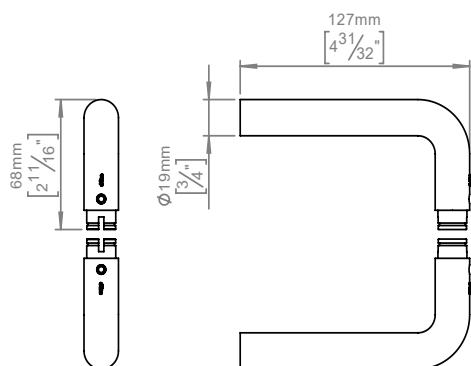
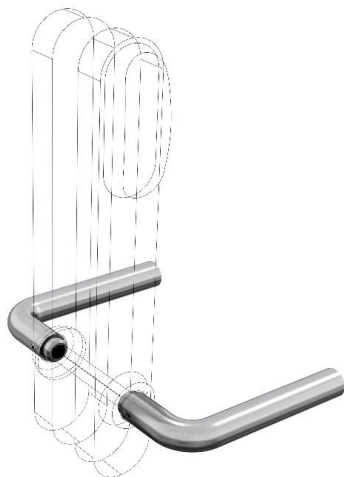
Lever handle, 19L, f/Salto XS4 set

Knud Holscher collection

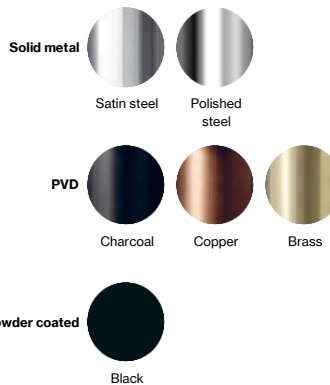
Product Lever handle, 19L, for Salto SX4 set

Tender text Knud Holscher collection lever handle, 19L, for Salto XS4 set. Manufactured in the highest quality marine grade, AISI 316 stainless steel, protecting against high levels of corrosion.

Product specification Dimensions: 127x19x68 mm;
Material: stainless steel AISI 316;
Surface finish: satin;
[20-year warranty \(5 years for coated items\)](#)



Available finishes



Spare parts/ accessories 14970102019 - Grub screw M5x8,3mm;

Mounting <https://dline.com/mounting-instructions/>

Product care

d line products are produced in the highest quality marine grade AISI 316 stainless steel. To sustain the unique d line finish please follow the below instructions:

- Wash down the surfaces using soapy water or mild detergent
 - Always thoroughly rinse off with clean water
 - To complete the cleaning procedure dry/polish the surface with a soft dry cloth
- Please do not use scouring powder, steel wool, chloride based detergents or other aggressive cleaning products as these may damage the surface.
- If spots or corrosion appear on the surface it is not due to the stainless steel quality, but to impurities in the environment, aggressive conditions or improper or insufficient cleaning.