

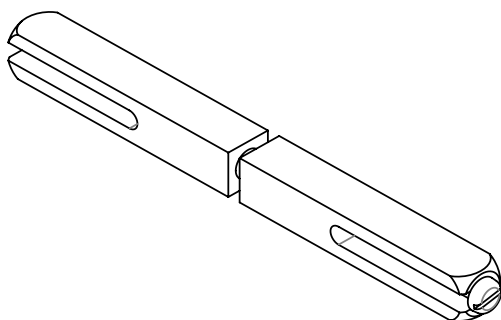
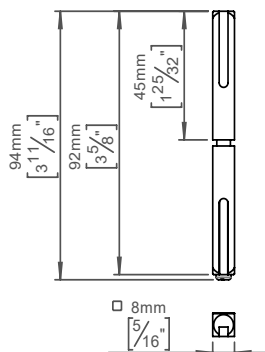
Split spindle

Knud Holscher collection

Product 8x8x92mm.

Tender text Knud Holscher collection, split spindle, 8x8x92mm in hardened steel. 20-year warranty

Product specification Dimensions: 8x8x92mm
Material: Hardened steel
[20-year warranty \(5 years for coated items\)](#)



Available finishes

Spare parts/ accessories

Mounting <https://dline.com/mounting-instructions/>

Product care

d line products are produced in the highest quality marine grade AISI 316 stainless steel. To sustain the unique d line finish please follow the below instructions:

- Wash down the surfaces using soapy water or mild detergent
 - Always thoroughly rinse off with clean water
 - To complete the cleaning procedure dry/polish the surface with a soft dry cloth
- Please do not use scouring powder, steel wool, chloride based detergents or other aggressive cleaning products as these may damage the surface.
- If spots or corrosion appear on the surface it is not due to the stainless steel quality, but to impurities in the environment, aggressive conditions or improper or insufficient cleaning.