

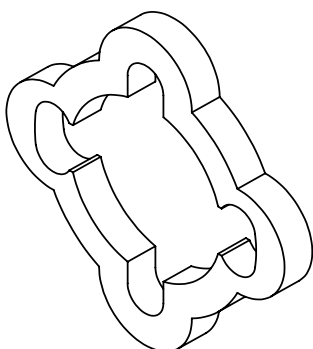
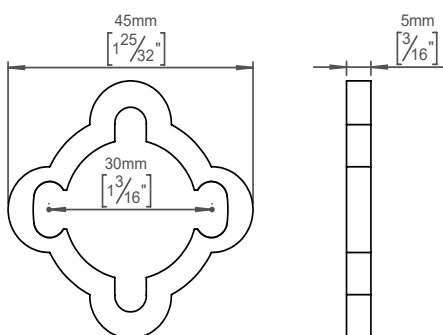
# PVC bush f/ lever handle

## Knud Holscher collection

**Product** cc 30mm, D. 1401, plastic.

**Tender text** Knud Holscher collection, pVC bush f/ball bearing, cc30mm in PVC.

**Product specification** Dimensions: 4,5x45x45mm  
Material: PVC



### Available finishes

### Spare parts/ accessories

### Mounting

<https://dline.com/mounting-instructions/>

### Product care

d line products are produced in the highest quality marine grade AISI 316 stainless steel. To sustain the unique d line finish please follow the below instructions:

- Wash down the surfaces using soapy water or mild detergent
  - Always thoroughly rinse off with clean water
  - To complete the cleaning procedure dry/polish the surface with a soft dry cloth
- Please do not use scouring powder, steel wool, chloride based detergents or other aggressive cleaning products as these may damage the surface.
- If spots or corrosion appear on the surface it is not due to the stainless steel quality, but to impurities in the environment, aggressive conditions or improper or insufficient cleaning.