

Back plate 210x60 w/ thumb turn

Knud Holscher collection

Product

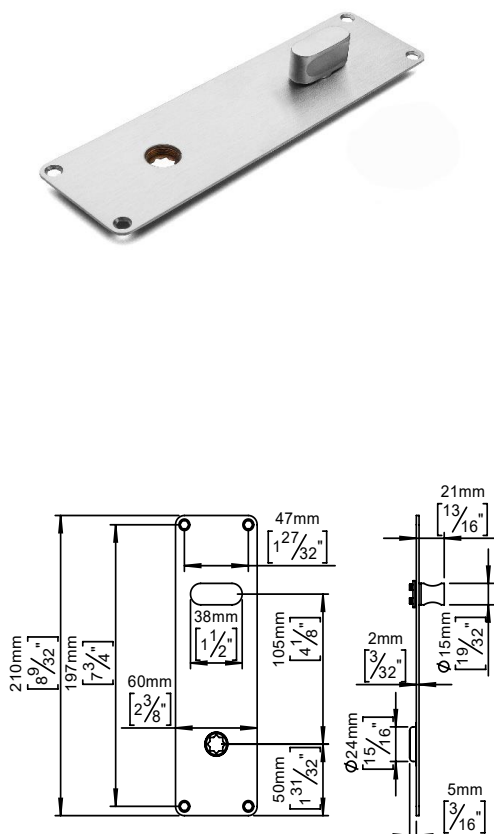
GE, 2mm, w/ball bearing & cylinder hole,x=105.

Tender text

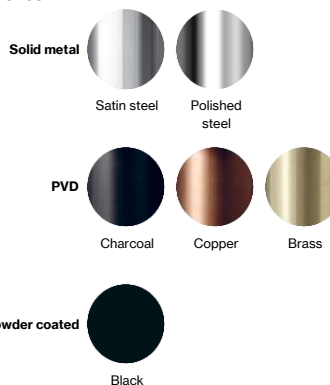
Knud Holscher collection, back plate
GE,x=105mm, 210x60x2mm, w/ball bearing.
Manufactured in the highest quality marine grade,
AISI 316 stainless steel, protecting against high
levels of corrosion. 20-year warranty.

Product specification

Dimensions: 210x60x2mm
Material: stainless steel AISI 316
Surface finish: satin grain 320, crafted by hand
[20-year warranty \(5 years for coated items\)](#)



Available finishes

Spare parts/
accessories

14296274071 - Sectioned bolt M5x110mm bush

Mounting

<https://dline.com/mounting-instructions/>

Product care

d line products are produced in the highest quality marine grade AISI 316 stainless steel. To sustain the unique d line finish please follow the below instructions:

- Wash down the surfaces using soapy water or mild detergent
 - Always thoroughly rinse off with clean water
 - To complete the cleaning procedure dry/polish the surface with a soft dry cloth
- Please do not use scouring powder, steel wool, chloride based detergents or other aggressive cleaning products as these may damage the surface.
- If spots or corrosion appear on the surface it is not due to the stainless steel quality, but to impurities in the environment, aggressive conditions or improper or insufficient cleaning.