

# Flush pull

## Knud Holscher collection

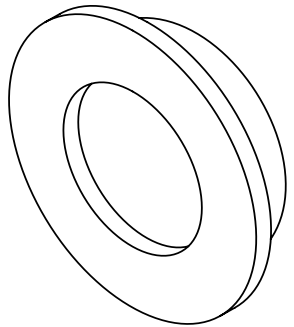
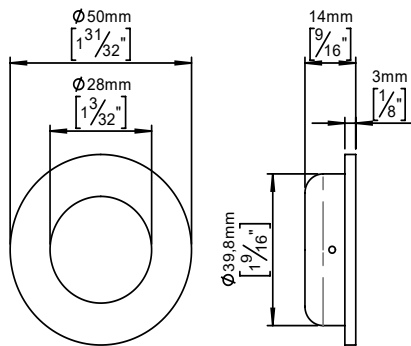
**Product** Ø50mm.



**Tender text**

Knud Holscher collection, flush pull handle, round, Ø50mm. Manufactured in the highest quality marine grade, AISI 316 stainless steel, protecting against high levels of corrosion. Certified in accordance with EN 1906 to ---B----, 20-year warranty.

**Product specification** Dimensions: 50x50x14mm  
 Diameter: Ø50mm  
 Material: stainless steel AISI 316  
 Surface finish: satin grain 320, crafted by hand  
[20-year warranty \(5 years for coated items\)](#)



**Available finishes**

**Solid metal**



Satin steel

Polished steel

**PVD**



Charcoal

Copper

Brass

**Powder coated**



Black

**Spare parts/ accessories**

**Mounting**

<https://dline.com/mounting-instructions/>

**Product care**

d line products are produced in the highest quality marine grade AISI 316 stainless steel. To sustain the unique d line finish please follow the below instructions:

- Wash down the surfaces using soapy water or mild detergent
- Always thoroughly rinse off with clean water
- To complete the cleaning procedure dry/polish the surface with a soft dry cloth

Please do not use scouring powder, steel wool, chloride based detergents or other aggressive cleaning products as these may damage the surface.

If spots or corrosion appear on the surface it is not due to the stainless steel quality, but to impurities in the environment, aggressive conditions or improper or insufficient cleaning.