

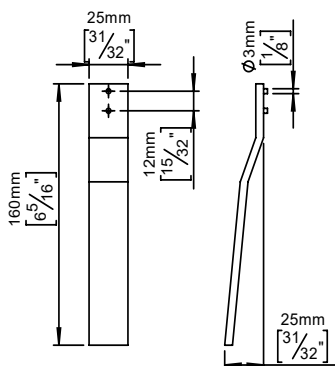
Fixing tool f/ pull handle

Knud Holscher collection

Product f/M8 thread, items: 4920 + 147020.

Tender text Knud Holscher collection, fixing tool, f/M8 thread, f/14mm. Manufactured in the highest quality marine grade, AISI 316 stainless steel, protecting against high levels of corrosion.

Product specification Dimension: 5x25x160mm
Material: stainless steel AISI 316



Available finishes

Spare parts/ accessories

Mounting <https://dline.com/mounting-instructions/>

Product care

d line products are produced in the highest quality marine grade AISI 316 stainless steel. To sustain the unique d line finish please follow the below instructions:

- Wash down the surfaces using soapy water or mild detergent
 - Always thoroughly rinse off with clean water
 - To complete the cleaning procedure dry/polish the surface with a soft dry cloth
- Please do not use scouring powder, steel wool, chloride based detergents or other aggressive cleaning products as these may damage the surface.
- If spots or corrosion appear on the surface it is not due to the stainless steel quality, but to impurities in the environment, aggressive conditions or improper or insufficient cleaning.