

# Panic exit device two point locking

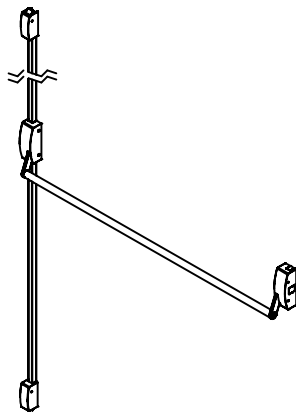
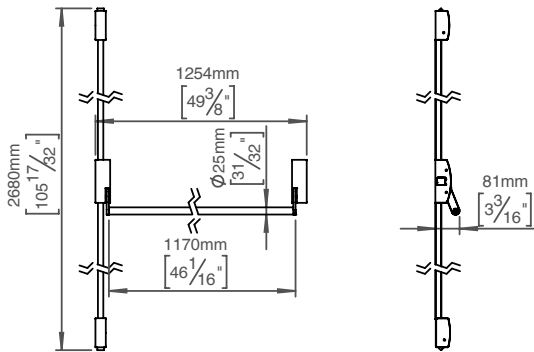
## Knud Holscher collection



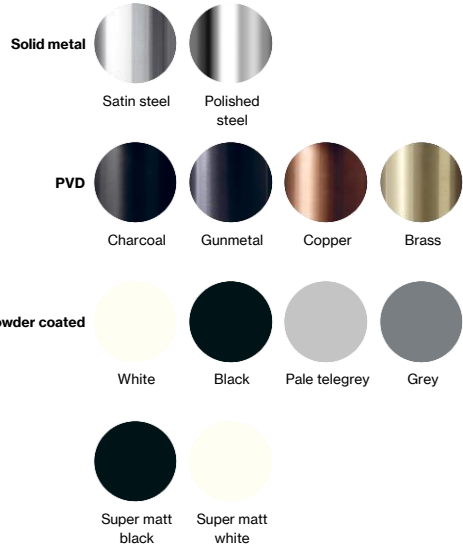
**Product** 2 vert. latch push bar 950mm.

**Tender text** Knud Holscher collection, panic exit device, two point locking, 2 vert. latch, 950mm push bar. Manufactured in the highest quality marine grade, AISI 316 stainless steel, protecting against high levels of corrosion. Certified in accordance with EN 1125 to 377B1422AA. Fire tested in accordance with EN 1634. 20-year warranty.

**Product specification** Dimensions: 985x2662x76mm  
 Diameter: Ø25mm  
 Material: stainless steel AISI 316  
 Surface finish: satin grain 320, crafted by hand  
[20-year warranty \(5 years for coated items\)](#)  
 2-year defective part warranty



### Available finishes



### Spare parts/ accessories

**Mounting** <https://dline.com/mounting-instructions/>

### Product care

d line products are produced in the highest quality marine grade AISI 316 stainless steel. To sustain the unique d line finish please follow the below instructions:

- Wash down the surfaces using soapy water or mild detergent
- Always thoroughly rinse off with clean water
- To complete the cleaning procedure dry/polish the surface with a soft dry cloth

Please do not use scouring powder, steel wool, chloride based detergents or other aggressive cleaning products as these may damage the surface.

If spots or corrosion appear on the surface it is not due to the stainless steel quality, but to impurities in the environment, aggressive conditions or improper or insufficient cleaning.