

Glass patch bottom patch fitting

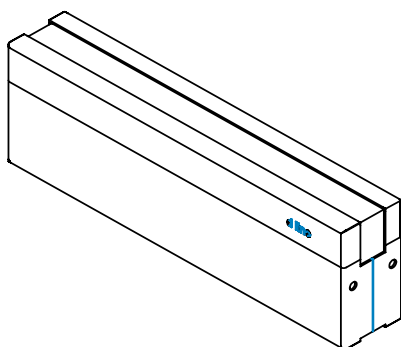
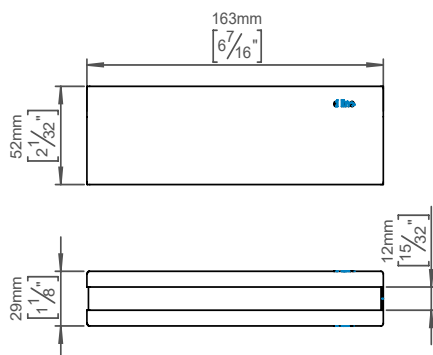
Knud Holscher collection

Product 31x52x164mm, f/glass, 10-12mm.

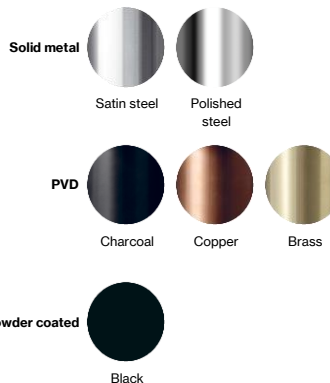
Tender text

Knud Holscher collection, bottom patch fitting, 31x52x164mm, f/glass 10-12mm. Manufactured in the highest quality marine grade, AISI 316 stainless steel, protecting against high levels of corrosion. 20-year warranty.

Product specification Dimension: 164x52x31mm
Material: stainless steel AISI 316
Surface finish: satin grain 320, crafted by hand
[20-year warranty \(5 years for coated items\)](#)



Available finishes



Spare parts/ accessories
D 7142 - Cover for bottom patch body RH
D 7143 - Cover for bottom patch body LH
D 7141 - Bottom patch body

Mounting <https://dline.com/mounting-instructions/>

Product care

d line products are produced in the highest quality marine grade AISI 316 stainless steel. To sustain the unique d line finish please follow the below instructions:

- Wash down the surfaces using soapy water or mild detergent
 - Always thoroughly rinse off with clean water
 - To complete the cleaning procedure dry/polish the surface with a soft dry cloth
- Please do not use scouring powder, steel wool, chloride based detergents or other aggressive cleaning products as these may damage the surface.
- If spots or corrosion appear on the surface it is not due to the stainless steel quality, but to impurities in the environment, aggressive conditions or improper or insufficient cleaning.