

# Mirror holders

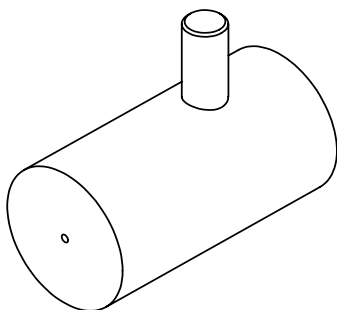
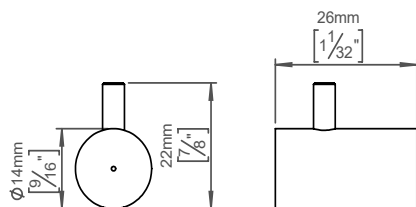
## Knud Holscher collection

**Product** Ø14x25mm, w/bush.

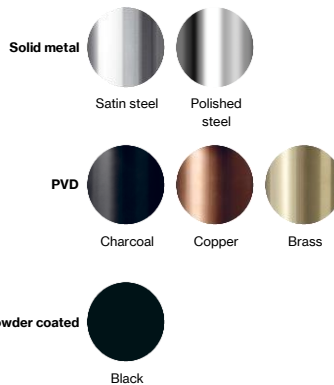
**Tender text**

Knud Holscher collection, mirror holder, Ø14x25mm, w/bush, self-tapping screws included. Manufactured in the highest quality marine grade, AISI 316 stainless steel, protecting against high levels of corrosion. 20-year warranty.

**Product specification** Dimensions:14x22x26mm  
Material: stainless steel AISI 316  
Surface finish: satin grain 320, crafted by hand  
[20-year warranty \(5 years for coated items\)](#)



**Available finishes**



**Spare parts/ accessories** P 451 - Screw and plug set  
14970100052 - Grub screw M4x3mm

**Mounting** <https://dline.com/mounting-instructions/>

**Product care**

d line products are produced in the highest quality marine grade AISI 316 stainless steel. To sustain the unique d line finish please follow the below instructions:

- Wash down the surfaces using soapy water or mild detergent
  - Always thoroughly rinse off with clean water
  - To complete the cleaning procedure dry/polish the surface with a soft dry cloth
- Please do not use scouring powder, steel wool, chloride based detergents or other aggressive cleaning products as these may damage the surface.
- If spots or corrosion appear on the surface it is not due to the stainless steel quality, but to impurities in the environment, aggressive conditions or improper or insufficient cleaning.