

# Bathtub waste with overflow, without filler

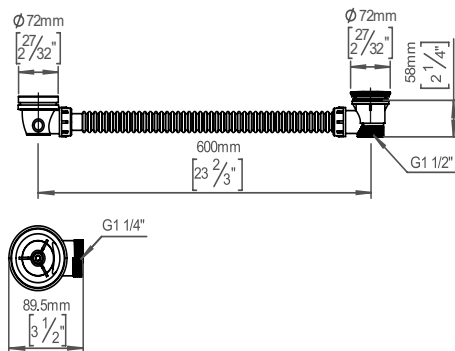
## Qtoo collection

### Product

Comes with water overflow, foot bounce drainage, easy to install and use

### Tender text

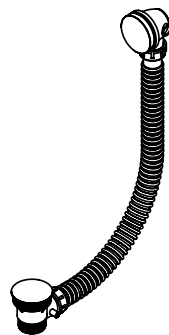
QTOO collection, Bathtub waste with filler and overflow. Manufactured in the highest quality marine grade, AISI 316 stainless steel, protecting against high levels of corrosion. 20-year warranty.



### Product specification

Overflow hole size: 50mm  
 Drainage hole size: 50mm  
 Maximum screw force: 0.3 MPa  
[20-year warranty \(5 years for coated items\)](#)  
 Drainage flow: 0.6L/S (no pipe connected)  
 Overflow flow: 0.36L/S (no pipe connected)  
 Maximum service temperature: 80°C

### Available finishes



### Spare parts/ accessories

### Mounting

<https://dline.com/mounting-instructions/>

### Product care

d line products are produced in the highest quality marine grade AISI 316 stainless steel. To sustain the unique d line finish please follow the below instructions:

- Wash down the surfaces using soapy water or mild detergent
- Always thoroughly rinse off with clean water
- To complete the cleaning procedure dry/polish the surface with a soft dry cloth

Please do not use scouring powder, steel wool, chloride based detergents or other aggressive cleaning products as these may damage the surface.

If spots or corrosion appear on the surface it is not due to the stainless steel quality, but to impurities in the environment, aggressive conditions or improper or insufficient cleaning.