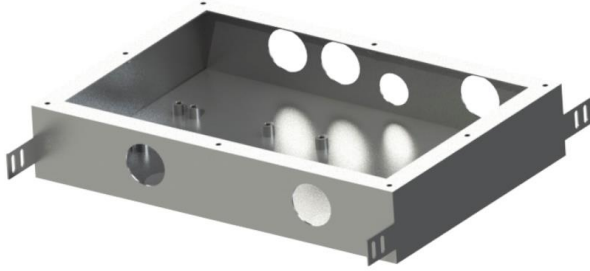


# Box for built in parts

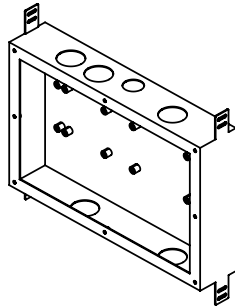
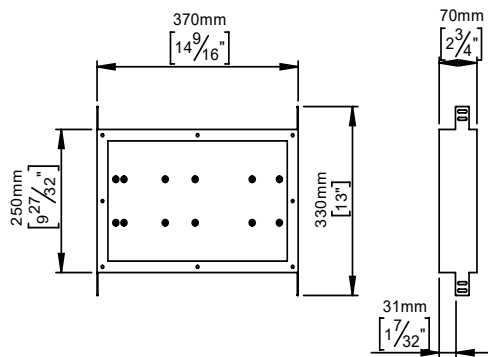


## Qtoo collection

**Product** Box for housing built in Qtoo products

**Tender text** QTOO collection, built in element box 370x330x70mm. Manufactured from cold rolled steel. 20 year warranty.

**Product specification** Dimensions: 370x330x70mm  
Material: Cold rolled steel  
[20-year warranty \(5 years for coated items\)](#)



### Available finishes

### Spare parts/ accessories

**Mounting** <https://dline.com/mounting-instructions/>

### Product care

d line products are produced in the highest quality marine grade AISI 316 stainless steel. To sustain the unique d line finish please follow the below instructions:

- Wash down the surfaces using soapy water or mild detergent
- Always thoroughly rinse off with clean water
- To complete the cleaning procedure dry/polish the surface with a soft dry cloth

Please do not use scouring powder, steel wool, chloride based detergents or other aggressive cleaning products as these may damage the surface.

If spots or corrosion appear on the surface it is not due to the stainless steel quality, but to impurities in the environment, aggressive conditions or improper or insufficient cleaning.