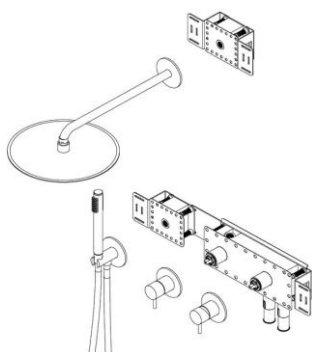


Two-way shower



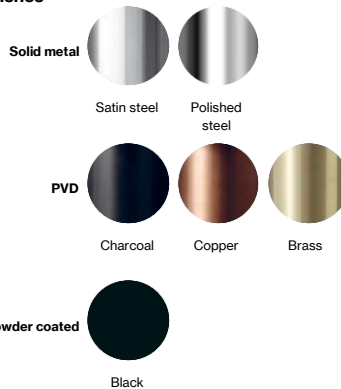
Qtoo collection

Product 400mm projection, Ø90mm, black.

Tender text QTOO collection, complete built in two-way shower. Manufactured in the highest quality marine grade, AISI 316 stainless steel, protecting against high levels of corrosion. 20 year warranty.

Product specification Build in depth: 69mm - 2 3/4"
Projection: 400mm - 16 3/16"
Rose diameter: Ø90mm - 3 1/2"
Rain shower: Ø300mm - 11 13/16"
Max. Water flow rate: 5,7L - 1,5gpm
Spare flow regulator: 9,5L - 2,5gpm
Lead free compliant
Anti lime scale
Material: Marine grade AISI 316 stainless steel
[20-year warranty \(5 years for coated items\)](#)

Available finishes



Spare parts/ accessories
QS3200 - Mixer & diverter
QA2190 - Control for mixer
QA2290 - Control for diverter
QS3400 - Built in part for outlet
QS5590 - Wall outlet
QS5410 - Shower hose
QS5320 - Hand shower
QS5289 - Shower arm
QS5110 - Shower head

Mounting <https://dline.com/mounting-instructions/>

Product care

d line products are produced in the highest quality marine grade AISI 316 stainless steel. To sustain the unique d line finish please follow the below instructions:

- Wash down the surfaces using soapy water or mild detergent
 - Always thoroughly rinse off with clean water
 - To complete the cleaning procedure dry/polish the surface with a soft dry cloth
- Please do not use scouring powder, steel wool, chloride based detergents or other aggressive cleaning products as these may damage the surface.
- If spots or corrosion appear on the surface it is not due to the stainless steel quality, but to impurities in the environment, aggressive conditions or improper or insufficient cleaning.