

# Single hole sensor tap

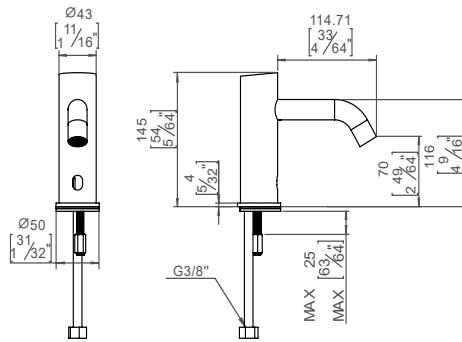
## Qtoo collection

## Product

Infrared sensor tap for counter top installation

## Tender text

QTOO collection, single hole sensor tap. Manufactured in the highest quality marine grade, AISI 316 stainless steel, protecting against high levels of corrosion and securing cleaner drinking and utility water.



## Product specification

Projection: 130mm - 5 1/8"

Fixed spout

Built in aerator

Total height: 145mm - 5 45/64"

Height to aerator: 70mm - 2 3/4"

Max. flow rate: 5L - 1,3gpm

Comfort time out 2 sec.

Security time out 30 sec.

Automatic rinse cycle (deactivated)

Use with Flexbox QSF01

Temperature control in Flexbox

Max. work pressure 8 bar

Lead free compliant

Material: Marine grade AISI 316 stainless steel

[20-year warranty \(5 years for coated items\)](#)

## Available finishes

## Solid metal



Satin steel

Polished steel

## PVD



Charcoal

Copper

Brass

Spare parts/  
accessories

QSF01 - Premix Flexbox

## Mounting

<https://dline.com/mounting-instructions/>

## Product care

d line products are produced in the highest quality marine grade AISI 316 stainless steel. To sustain the unique d line finish please follow the below instructions:

- Wash down the surfaces using soapy water or mild detergent
  - Always thoroughly rinse off with clean water
  - To complete the cleaning procedure dry/polish the surface with a soft dry cloth
- Please do not use scouring powder, steel wool, chloride based detergents or other aggressive cleaning products as these may damage the surface.
- If spots or corrosion appear on the surface it is not due to the stainless steel quality, but to impurities in the environment, aggressive conditions or improper or insufficient cleaning.