

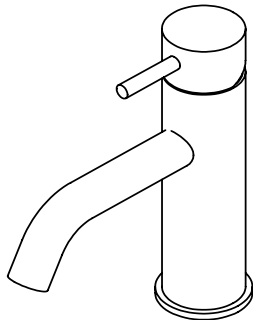
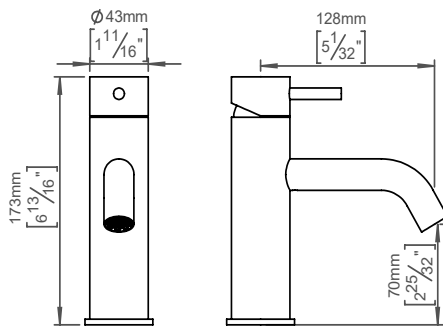
Single hole faucet

Qtoo collection

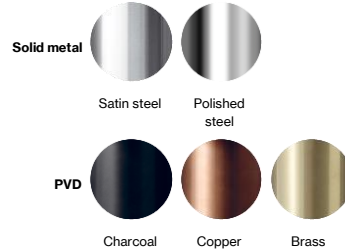
Product 280mm, satin finish, PVD brass.

Tender text QTOO collection, single lever tap, 5 1/8-130mm projection. Manufactured in the highest quality marine grade, AISI 316 stainless steel, protecting against high levels of corrosion. 20 year warranty

Product specification Projection: 130mm - 5 1/8"
 Fixed spout
 Built in aerator
 Total height: 178mm - 7"
 Height to aerator: 69mm - 2 3/4"
 Max. Water flow rate: 5L - 1,3gpm
 Lead free compliant
 Material: Marine grade AISI 316 stainless steel
[20-year warranty \(5 years for coated items\)](#)
 Recommended table top cutout: Ø35mm



Available finishes



Spare parts/ accessories

Mounting <https://dline.com/mounting-instructions/>

Product care

d line products are produced in the highest quality marine grade AISI 316 stainless steel. To sustain the unique d line finish please follow the below instructions:

- Wash down the surfaces using soapy water or mild detergent
- Always thoroughly rinse off with clean water
- To complete the cleaning procedure dry/polish the surface with a soft dry cloth

Please do not use scouring powder, steel wool, chloride based detergents or other aggressive cleaning products as these may damage the surface.

If spots or corrosion appear on the surface it is not due to the stainless steel quality, but to impurities in the environment, aggressive conditions or improper or insufficient cleaning.