

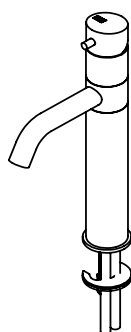
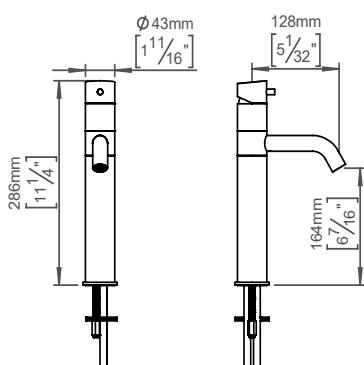
# Tall single hole faucet

## Qtoo collection

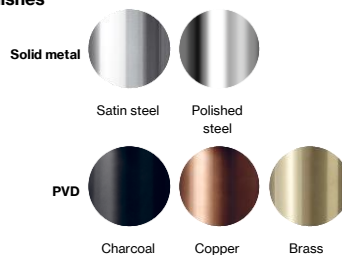
**Product** 280mm, satin finish, PVD brass.

**Tender text** QTOO collection, single lever tap, swivel spout, 5 1/8-130mm projection. Manufactured in the highest quality marine grade, AISI 316 stainless steel, protecting against high levels of corrosion. 20 year warranty.

**Product specification** Projection: 130mm - 5 1/8"  
Swivel spout  
Built in aerator  
Toatal height: 280mm - 11"  
Height to aerator: 162mm- 6 25/64"  
Max. Water flow rate: 5L - 1,3gpm  
Lead free compliant  
Material: Marine grade AISI 316 stainless steel  
[20-year warranty \(5 years for coated items\)](#)  
Recommended table top cutout: Ø35mm



### Available finishes



### Spare parts/ accessories

**Mounting** <https://dline.com/mounting-instructions/>

### Product care

d line products are produced in the highest quality marine grade AISI 316 stainless steel. To sustain the unique d line finish please follow the below instructions:

- Wash down the surfaces using soapy water or mild detergent
  - Always thoroughly rinse off with clean water
  - To complete the cleaning procedure dry/polish the surface with a soft dry cloth
- Please do not use scouring powder, steel wool, chloride based detergents or other aggressive cleaning products as these may damage the surface.
- If spots or corrosion appear on the surface it is not due to the stainless steel quality, but to impurities in the environment, aggressive conditions or improper or insufficient cleaning.