

Corian control mixer

QTOO collection

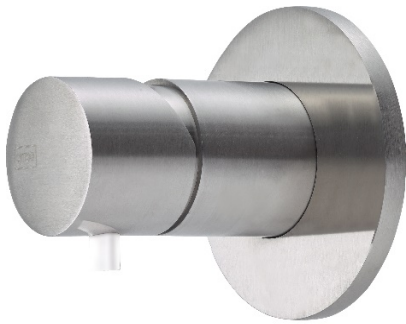
d line

PRODUCT DATA SHEET

ITEM NUMBER QA2191M
SURFACE Brushed stainless steel

PRODUCT
Control unit with Corian pin for wall mounted mixer in marine grade stainless steel

PICTURE



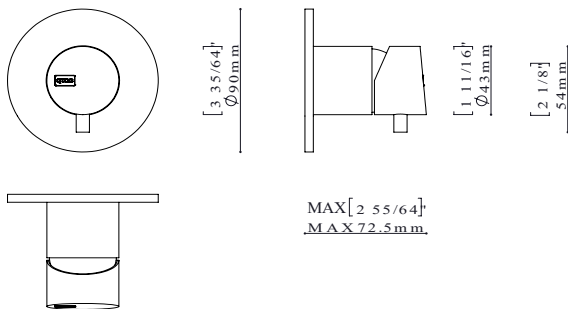
TENDER TEXT

Control unit for wall mounted mixer in marine grade stainless steel with 35mm ceramic cartridge. Lead free compliant and 10 year full warranty.

PRODUCT SPECIFICATION

Rose diameter 3 1/2" _90mm
Marine grade stainless steel AISI316

DRAWING



SPARE PARTS / ACCESSORIES:

PRODUCT CARE

d line products are produced in the highest quality stainless steel, marine grade, AISI 316. To sustain the unique d line finish appearance please follow the below instructions:

- Wash down the surfaces using soapy water or mild detergent
- Always thoroughly rinse off with clean water
- To complete the cleaning procedure dry/polish the surfaces with a soft dry cloth

Please do not use scouring powder, steel wool, chloride based detergents or other aggressive cleaning products as these may damage the surface. If spots or corrosion appear on the surface it is not due to the stainless steel quality, but to impurities in the environment, aggressive conditions or improper or insufficient cleaning. Link to our maintenance guide: <https://dline.com/maintenance/>