

Build in part of thermostat and diverter

Qtoo collection

Product

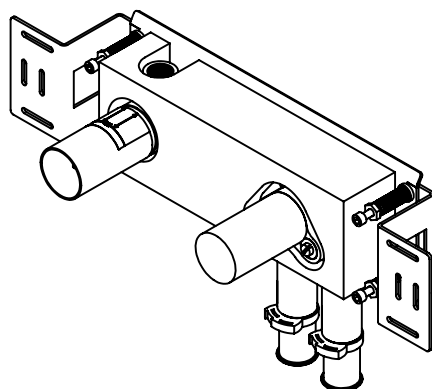
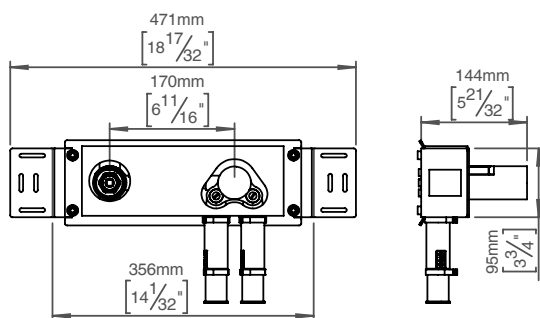
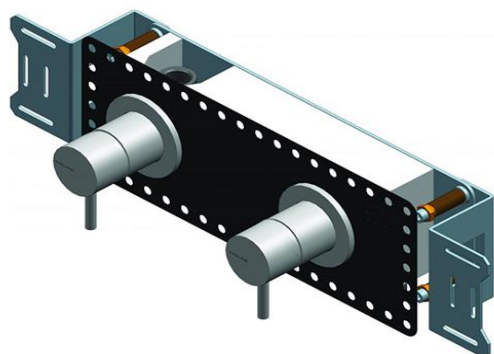
Depth 69mm, length 471mm.

Tender text

QTOO collection, built two-way thermostat.
Material: AISI 304 stainless steel. 20 year warranty.

Product specification

Build in depth: 69mm - 2 3/4"
Safety lock temperature: 100F/38C
6gpm at 65psi
17,4L at 3bar
Lead free compliant
Material: AISI 304 stainless steel
[20-year warranty \(5 years for coated items\)](#)



Available finishes

Spare parts/ accessories

Mounting

<https://dline.com/mounting-instructions/>

Product care

d line products are produced in the highest quality AISI 304 stainless steel. To sustain the unique d line finish please follow the below instructions:

- Wash down the surfaces using soapy water or mild detergent
- Always thoroughly rinse off with clean water
- To complete the cleaning procedure dry/polish the surface with a soft dry cloth

Please do not use scouring powder, steel wool, chloride based detergents or other aggressive cleaning products as these may damage the surface.

If spots or corrosion appear on the surface it is not due to the stainless steel quality, but to impurities in the environment, aggressive conditions or improper or insufficient cleaning.