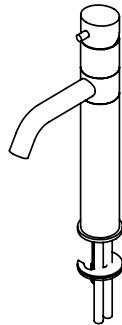
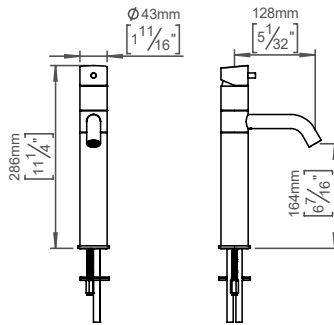


# Tall single hole faucet



## Qtoo collection

**Product** 280mm, satin finish.

**Tender text** QTOO collection, single lever tap, swivel spout, 5 1/8-130mm projection. Manufactured in the highest quality marine grade, AISI 316 stainless steel, protecting against high levels of corrosion. 20 year warranty.

**Re-handle®** Re-handle® this product to prolong its life span up to 100 years, lowering the Global Warming potential (CO2) between 54-91% depending on the product.

[Re-handle your product here](#)

**Product specification** Projection: 130mm - 5 1/8"  
Swivel spout  
Built in aerator  
Toatal height: 280mm - 11"  
Height to aerator: 162mm- 6 25/64"  
F.r. 5.68 L/min (1.5 gpm), (contact sellers for other options)  
Lead free compliant  
Material: Marine grade AISI 316 stainless steel  
[20-year warranty \(5 years for coated items\)](#)  
Recommended table top cutout: Ø35mm

### Available finishes



Please note: PVD and powder coated items cannot be Re-handled

### Spare parts/ accessories

**Mounting** <https://dline.com/mounting-instructions/>

### Product care

d line products are produced in the highest quality marine grade AISI 316 stainless steel. To sustain the unique d line finish please follow the below instructions:

- Wash down the surfaces using soapy water or mild detergent
- Always thoroughly rinse off with clean water
- To complete the cleaning procedure dry/polish the surface with a soft dry cloth

Please do not use scouring powder, steel wool, chloride based detergents or other aggressive cleaning products as these may damage the surface.

If spots or corrosion appear on the surface it is not due to the stainless steel quality, but to impurities in the environment, aggressive conditions or improper or insufficient cleaning.

QT1200 flow rate (without aerator, L/min)

