

Toilet roll holder

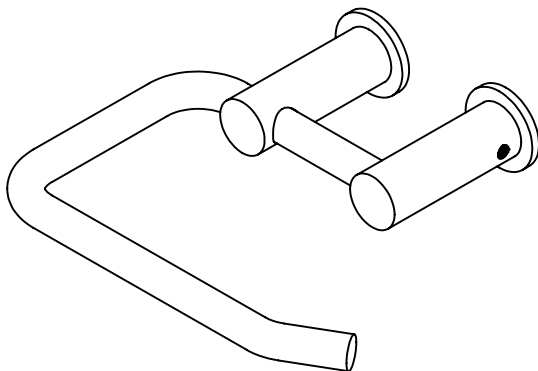
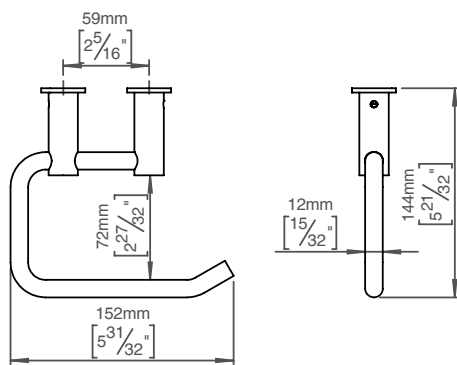
Qtoo collection

Product Height 109mm, length 152, depth 12mm, satin finish.

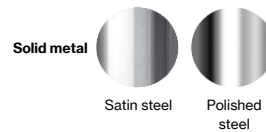
Tender text QTOO collection, toilet roll holder in satin finished AISI 304 stainless steel. 20-year warranty.



Product specification Dimensions: 109x152x12mm
 Diameter: Ø30mm
 Material: stainless steel AISI 304
 Surface finish: satin finished
[20-year warranty \(5 years for coated items\)](#)



Available finishes



Spare parts/ accessories

Mounting <https://dline.com/mounting-instructions/>

Product care

d line products are produced in the highest quality AISI 304 stainless steel. To sustain the unique d line finish please follow the below instructions:

- Wash down the surfaces using soapy water or mild detergent
- Always thoroughly rinse off with clean water
- To complete the cleaning procedure dry/polish the surface with a soft dry cloth

Please do not use scouring powder, steel wool, chloride based detergents or other aggressive cleaning products as these may damage the surface.

If spots or corrosion appear on the surface it is not due to the stainless steel quality, but to impurities in the environment, aggressive conditions or improper or insufficient cleaning.